

Technical data sheet

Screw-in beam clamp, with gland hole

Item number: 1488031



With gland hole.

Max. tightening torque: 21 Nm



TG Cast iron

Master data

Item number	1488031
Type	FL 3 TG
Description 1	Carrier screw clamp
Description 2	with fastening hole
Manufacturer	OBO
Dimension	0-26mm
Material	Cast iron
Smallest sales unit	25
Unit of quantity	Piece
Weight	18 kg
Weight unit	kg/100 pc.

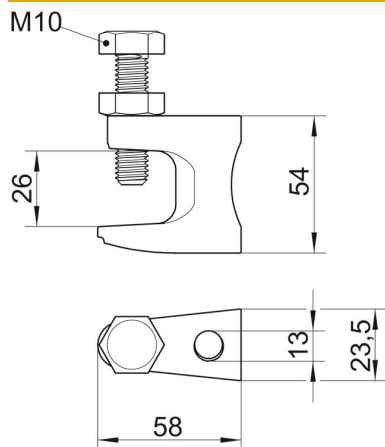
Technical data sheet

Screw-in beam clamp, with gland hole

Item number: 1488031



Dimensions



Length	58 mm
Width	23.5 mm
Height	54 mm
Dimension B	23.5 mm
Dimension D	13 mm
Dimension F	26 mm
Dimension G (mm)	M10
Dimension H	54 mm
Dimension L	58 mm

Technical data

Connection type/component	Hole
Fastening type	Bolts
Fastening hole	13 mm
Breaking load	3.5 kN
Flange thickness F max.	26 mm
Flange thickness F min.	0 mm
Thread	M10
Thread metric	10
Max. Tightening torque	21 Nm
Hinge, adjustable	no
Hinged	no