

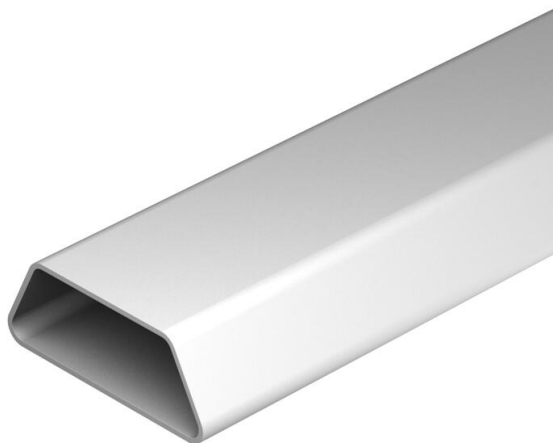
Technical data sheet

EÜK PVC underfloor installation duct, duct height 35 mm

Item number: 7425902



Trapezoidal duct, one-compartment, for use in cement screeds and under false floors.



PVC Polyvinylchloride

Master data

Item number	7425902
Type	DU 9035
Description 1	Underfloor duct
Description 2	for UDSPD
Manufacturer	OBO
Dimension	35x90x3000
Colour	Light grey
Material	Polyvinylchloride
Smallest sales unit	3
Unit of quantity	Metre
Weight	58 kg
Weight unit	kg/100 m

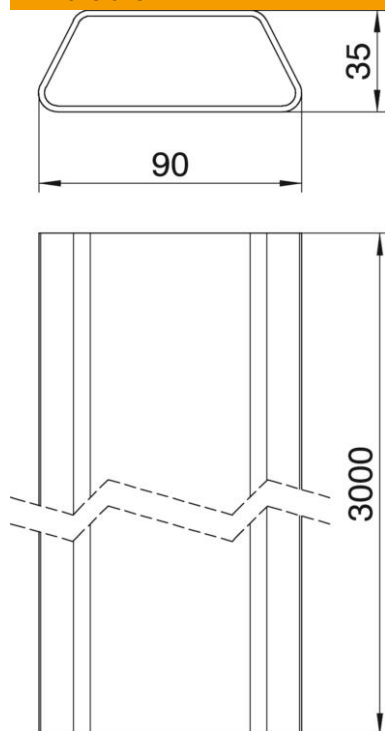
Technical data sheet

EÜK PVC underfloor installation duct, duct height 35 mm

Item number: 7425902



Dimensions



Length	3,000 mm
Width	90 mm
Height	35 mm

Technical data

Number of compartments	1 St.
Duct height, min.	35 mm
Usable cross-section	23.05 cm ²
Cross-section, draw a	2305 mm ²