

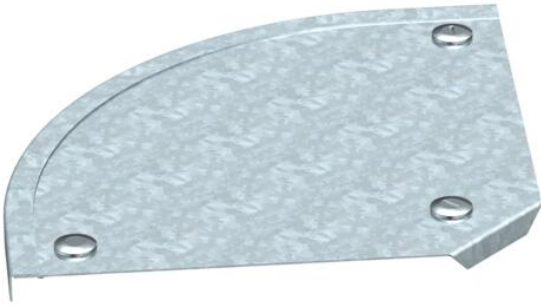
# Technical data sheet

## Cover for 90° bend DD

Item number: 7130538



Cover for 45° bend with pre-mounted sash locks.  
The cover can be used with fittings of all side heights.



**St** Steel

**DD** Strip galvanised zinc/aluminium, Double Dip

### Master data

Item number	7130538
Type	DFB 90 150 DD
Description 1	90° bend cover
Description 2	with turn-buckles, RB 90 150
Manufacturer	OBO
Dimension	B150mm
Material	Steel
Surface	Strip galvanised zinc/aluminium, Double Dip
Surface standard	DIN EN 10346
Smallest sales unit	1
Unit of quantity	Piece
Weight	40 kg
Weight unit	kg/100 pc.

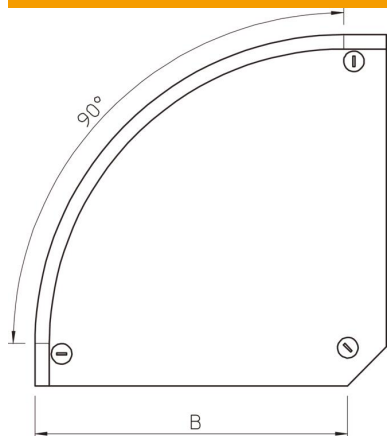
# Technical data sheet

## Cover for 90° bend DD

Item number: 7130538



### Dimensions



Width	150 mm
Width	6 in
Height	35 mm
Plate thickness	0.04 in
Plate thickness	1 mm

### Technical data

Bend (angle)	90°
Number of turn buckles	3 St.
Fastening type	Sash lock
Maintain electrical functions	no
Suitable for mesh cable tray	no
Suitable for cable ladder	no
Suitable for cable tray	yes
Change of direction	Horizontal
Rustproof steel, pickled	no
Hinged	no