

# Technical data sheet

## Cover for 45° bend DD

Item number: 7131860



Cover for 45° bend with pre-mounted turn buckle.  
The cover can be used with fittings of all side heights.



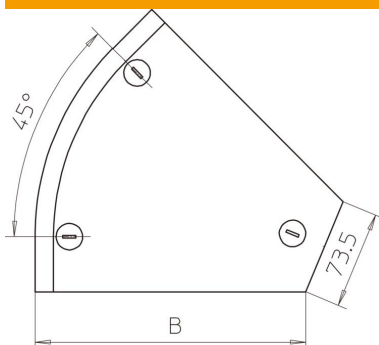
**St** Steel

**DD** Strip galvanised zinc/aluminium, Double Dip

### Master data

Item number	7131860
Type	DFB 45 300 DD
Description 1	45° bend cover
Description 2	with sash locks, RB 45 300
Manufacturer	OBO
Dimension	B300mm
Material	Steel
Surface	Strip galvanised zinc/aluminium, Double Dip
Surface standard	DIN EN 10346
Smallest sales unit	1
Unit of quantity	Piece
Weight	60.2 kg
Weight unit	kg/100 pc.

### Dimensions



Width	300 mm
Width	12 in
Height	35 mm
Plate thickness	0.04 in
Plate thickness	1 mm
Dimension B	300 mm
Dimension H	15 mm

# Technical data sheet

Cover for 45° bend DD

Item number: 7131860



## Technical data

Bend (angle)	45°
Number of turn buckles	3 St.
Fastening type	Sash lock
Maintain electrical functions	no
Suitable for mesh cable tray	no
Suitable for cable ladder	yes
Suitable for cable tray	yes
Change of direction	Horizontal
Rustproof steel, pickled	no
Hinged	no