

Technical data sheet

Cover for 45° bend FS

Item number: 7128835



Cover for 45° bend with pre-mounted turn buckle.
The cover can be used with fittings of all side heights.

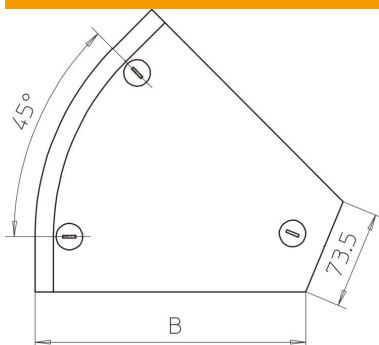


| | |
|-----------|------------------|
| St | Steel |
| FS | Strip galvanized |

Master data

| | |
|---------------------|----------------------------|
| Item number | 7128835 |
| Type | DFB 45 200 FS |
| Description 1 | 45° bend cover |
| Description 2 | with sash locks, RB 45 200 |
| Manufacturer | OBO |
| Dimension | B200mm |
| Material | Steel |
| Surface | Strip galvanized |
| Surface standard | DIN EN 10346 |
| Smallest sales unit | 1 |
| Unit of quantity | Piece |
| Weight | 36.9 kg |
| Weight unit | kg/100 pc. |

Dimensions



| | |
|-----------------|---------|
| Width | 200 mm |
| Width | 8 in |
| Height | 35 mm |
| Plate thickness | 0.04 in |
| Plate thickness | 1 mm |
| Dimension B | 200 mm |
| Dimension H | 15 mm |

Technical data sheet

Cover for 45° bend FS

Item number: 7128835



Technical data

| | |
|-------------------------------|------------|
| Bend (angle) | 45° |
| Number of turn buckles | 3 St. |
| Fastening type | Sash lock |
| Maintain electrical functions | no |
| Suitable for mesh cable tray | no |
| Suitable for cable ladder | no |
| Suitable for cable tray | yes |
| Change of direction | Horizontal |
| Rustproof steel, pickled | no |
| Hinged | no |