

Technical data sheet

Cover for 45° Magic bend FS

Item number: 7138370



Cover for 45° bend with pre-mounted turn buckles.
The cover can be used with fittings of all side heights.



- St** Steel
- FS** Strip galvanized

Master data

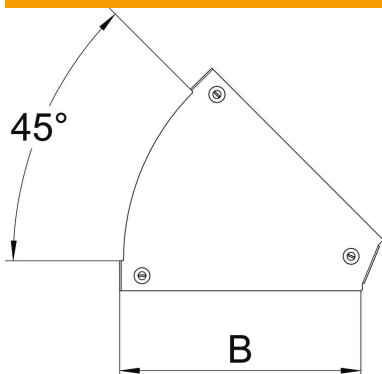
| | |
|---------------------|---------------------|
| Item number | 7138370 |
| Type | DFBM 45 500 FS |
| Description 1 | 45° bend cover |
| Description 2 | for bend RBM 45 500 |
| Manufacturer | OBO |
| Dimension | B=500mm |
| Material | Steel |
| Surface | Strip galvanized |
| Surface standard | DIN EN 10346 |
| Smallest sales unit | 1 |
| Unit of quantity | Piece |
| Weight | 142.3 kg |
| Weight unit | kg/100 pc. |

Technical data sheet

Cover for 45° Magic bend FS

Item number: 7138370

Dimensions



| | |
|-----------------|---------|
| Width | 500 mm |
| Width | 20 in |
| Plate thickness | 0.05 in |
| Plate thickness | 1.25 mm |
| Dimension B | 500 mm |

Technical data

| | |
|-------------------------------|------------|
| Bend (angle) | 45° |
| Fastening type | Sash lock |
| Maintain electrical functions | no |
| Suitable for mesh cable tray | no |
| Suitable for cable ladder | no |
| Suitable for cable tray | yes |
| Change of direction | Horizontal |
| Rustproof steel, pickled | no |
| Hinged | no |