

# Technical data sheet

## Cover for 90° vertical bend 85, falling, FS

Item number: 7131006



Cover for falling vertical bends of side height 85 mm.  
The fastening is guaranteed by the overlap of the cable tray covers. The cover can also be fastened using cover clamps.



**St** Steel

**FS** Strip galvanized

### Master data

Item number	7131006
Type	DBV 85 500 F FS
Description 1	Cover for 90° vertical bend
Description 2	falling
Manufacturer	OBO
Dimension	B500mm
Material	Steel
Surface	Strip galvanized
Surface standard	DIN EN 10346
Smallest sales unit	1
Unit of quantity	Piece
Weight	128.5 kg
Weight unit	kg/100 pc.

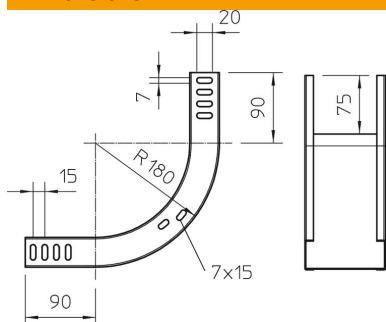
# Technical data sheet

Cover for 90° vertical bend 85, falling, FS

Item number: 7131006



## Dimensions



Width	500 mm
Width	20 in
Height	85 mm
Plate thickness	0.03 in
Plate thickness	0.75 mm
Dimension B	500 mm

## Technical data

Bend (angle)	90°
Fastening type	Sash lock
Maintain electrical functions	no
Suitable for mesh cable tray	no
Suitable for cable ladder	no
Suitable for cable tray	yes
Change of direction	Vertical, falling
Rustproof steel, pickled	no
Hinged	no