

# Technical data sheet

## Chequer plate cover DBKR FS

Item number: 6049121



Chequer plate cover for the walkable cable tray system, type BKR.

The cover thickness is comprised of 2.0 mm strip-galvanized sheet steel and a 1.3 mm chequer height.

Pre-marked break-out openings at a spacing of 100 mm allow retroinstallation of a turn buckle.

The covers are tested according to DIN 51130 and possess anti-slip class R11 and displacement space class V10.

Cover fastenings are not part of the scope of delivery and can be ordered separately.



**St** Steel

**FS** Strip galvanized

### Master data

Item number	6049121
Type	DBKR 200 FS
Description 1	Chequer plate cover
Description 2	for walkable cable trays
Manufacturer	OBO
Dimension	200x3000
Material	Steel
Surface	Strip galvanized
Surface standard	DIN EN 10346
Smallest sales unit	3
Unit of quantity	Metre
Weight	352.067 kg
Weight unit	kg/100 m

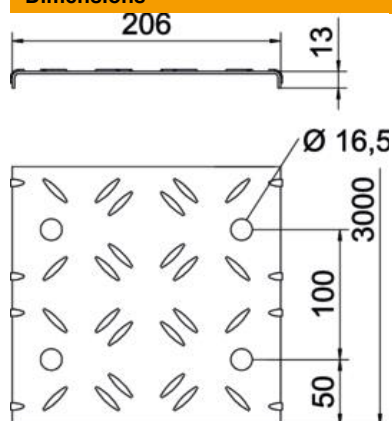
# Technical data sheet

## Chequer plate cover DBKR FS

Item number: 6049121



### Dimensions



Length	3,000 mm
Width	200 mm
Height	13 mm
Plate thickness	3.3 mm
Dimension B	200 mm
Dimension b	50 mm
Dimension L	3,000 mm

### Technical data

Number of turn buckles	0 St.
Fastening type	On top
Maintain electrical functions	no
Suitable for mesh cable tray	no
Suitable for cable ladder	no
Suitable for cable tray	yes
Rustproof steel, pickled	no