

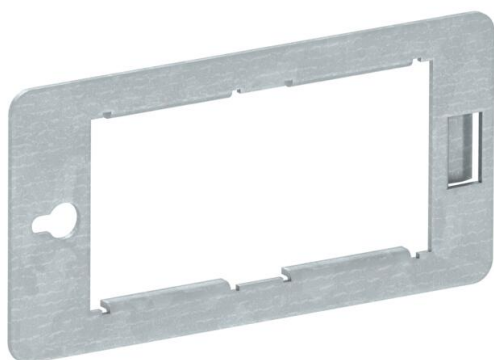
Technical data sheet

CP support plate, for Modul 45® devices, double

Item number: 6108039



Support plate to accommodate 2 Modul 45® devices in a Consolidation Point housing.



St Steel

Master data

Item number	6108039
Type	CP45-TP M
Description 1	Support plate Modul 45
Manufacturer	OBO
Dimension	120x60x5
Material	Steel
Smallest sales unit	1
Unit of quantity	Piece
Weight	4.2 kg
Weight unit	kg/100 pc.

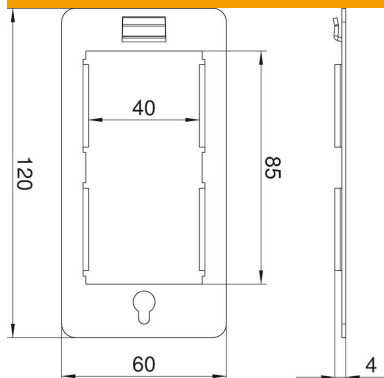
Technical data sheet

CP support plate, for Modul 45® devices, double

Item number: 6108039



Dimensions



Length	120 mm
Width	60 mm
Height	4 mm