

# Technical data sheet

## Drilling screw

Item number: 6049250



Drilling screw to fasten components to the stand-offs of the walkable cable tray system. Corresponds to DIN 7504.



**St** Steel

**G** Electrogalvanized

### Master data

Item number	6049250
Type	BS BKS KP
Description 1	Drilling screw
Description 2	for BKS
Manufacturer	OBO
Dimension	M4,2x16
Material	Steel
Surface	Electrogalvanized
Surface standard	EN ISO 19598 / EN ISO 4042
Smallest sales unit	100
Unit of quantity	Piece
Weight	0.18 kg
Weight unit	kg/100 pc.

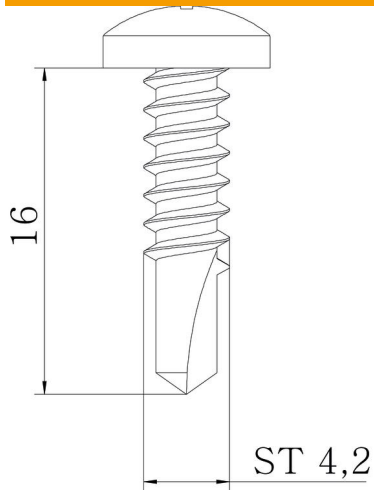
# Technical data sheet

## Drilling screw

Item number: 6049250



### Dimensions



Dimension	4,2x16
Length	16 mm
Dimension d	4.2 mm
Dimension l	16 mm

### Technical data

Thread diameter ST	4.2
Head shape	Flat sphere
Screw system	Phillips PH