

Technical data sheet

Clamp clip 2056 H-foot, 1-fold, plastic pressure sleeve, FT

Item number: 1186222



Clamp clip with hammerhead foot, plastic pressure sleeve made of polypropylene. For vertical and horizontal mounting of 1 single cable on a C-profile rail. For a slot width 16–17 mm. With 1-start screw thread on pressure sleeve, universal hexagonal screw head WAF10, with slot and cross recess. Suitable for assembly indoors and outdoors. We recommend the use of a counter-sleeve.



St Steel

FT Hot-dip galvanised

Master data

| | |
|---------------------|--------------------|
| Item number | 1186222 |
| Type | BS-H1-K-28 FT |
| Description 1 | Clamp clip 2056 |
| Manufacturer | OBO |
| Dimension | 22-28mm |
| Material | Steel |
| Surface | Hot-dip galvanised |
| Surface standard | DIN EN ISO 1461 |
| Smallest sales unit | 100 |
| Unit of quantity | Piece |
| Weight | 6.24 kg |
| Weight unit | kg/100 pc. |

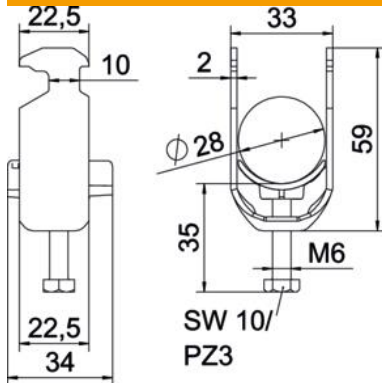
Technical data sheet

Clamp clip 2056 H-foot, 1-fold, plastic pressure sleeve, FT



Item number: 1186222

Dimensions



| | |
|------------------|---------|
| Length | 22.5 mm |
| Width | 33 mm |
| Height | 59 mm |
| Plate thickness | 2 mm |
| Dimension A | 22.5 mm |
| Dimension B | 33 mm |
| Dimension C | 34 mm |
| Dimension G (mm) | M6 |
| Dimension H | 59 mm |
| Dimension L | 35 mm |
| Dimension t | 2 mm |

Technical data

| | |
|--|----------------|
| Number of cables/pipes | 1 |
| For pipe diameter, max. | 28 mm |
| For pipe diameter, min. | 22 mm |
| for rail with slot width (with interval), max. | 17 mm |
| for rail with slot width (with interval), min. | 16 mm |
| Thread | M6 |
| Halogen-free | yes |
| Length of external dimensions | 34 mm |
| Max. Tightening torque | 3 Nm |
| With plastic trough | yes |
| Mounting type | Profile rail |
| Slot width | 10 mm |
| Clamping range D, max. | 28 mm |
| Clamping range D, min. | 22 mm |
| Surface addition | hot galvanised |
| Material addition | Steel |
| With counter-trough | no |
| Material of trough | Plastic |
| Material quality of trough | Polypropylene |