

# Technical data sheet

## Junction box A 14

Item number: 2000386



Protection rating IP55, rated voltage 690 V, nominal cross-section 2.5 mm<sup>2</sup>, 8 entries for cable diameter 5–14 mm

8 entries for cable diameter 5–11 mm.

Clamshell.

Dimensions: 100 x 100 x 40 mm

Clear internal dimensions: 90 x 90 x 35 mm

1 cut-out tool for every 10 boxes



PE Polyethylene

### Master data

Item number	2000386
Type	A 14 HF RO
Description 1	Junction box
Manufacturer	OBO
Dimension	100x100x38
Colour	Red
Material	Polyethylene
Smallest sales unit	10
Unit of quantity	Piece
Weight	5.855 kg
Weight unit	kg/100 pc.

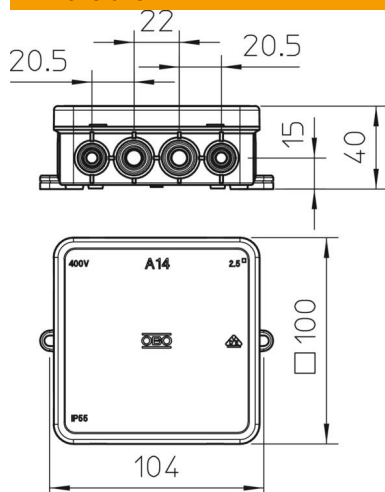
# Technical data sheet

## Junction box A 14

Item number: 2000386



### Dimensions



Length	100 mm
Width	100 mm
Height	40 mm

### Technical data

Expandable	yes
No. of entries	16
Type of insertion...	Cable
Type of entry	Cable
Type of housing penetration	Pre-marking
Measured insulation voltage $V_i$	690 V
Equipment	Without
Cover	Not transparent
Cover fastening	Locking
Entry from rear	no
Entries	8 entries for cable diameter 5–14 mm 8 entries for cable diameter 5–11 mm
Explosion-tested version	no
Flame-resistant	acc. to VDE 0471/DIN 695 Part 2-1, test temperature 650°C
Shape	Square
Maintain electrical functions	Without
For Ex zone	Without
For Ex zone gas	Without
For Ex zone dust	Without
Halogen-free	yes
Clear internal dimensions	90x90x35 mm
Max. Conductor cross-section	2.5 mm <sup>2</sup>
With screening	no
with lid	yes
Mounting type	Wall/ceiling mounting
Nominal cross-section, min.	2.5 mm <sup>2</sup>
Nominal voltage	690 V
Sealable	no
Protection rating	IP55
Permitted temperature range, max.	45 °C

# Technical data sheet

Junction box A 14

Item number: 2000386



## Technical data

Permitted temperature range, min.	-5 °C
Weatherproof	no
Junction box cover version	Blanking lid