

Technical data sheet

Wall and support bracket AW 30 FT

Item number: 6419763



Medium-duty wall and support bracket with welded head plate.
Fastening of the bracket to the U support of width 400 mm or greater using a hexagonal bolt through both sides of the support. Please insert suitable spacers.



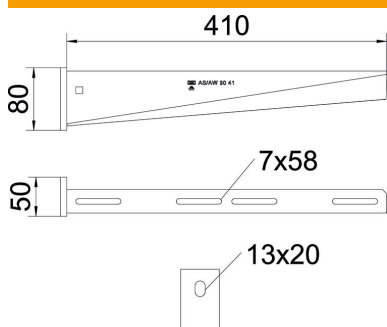
St Steel

FT Hot-dip galvanised

Master data

Item number	6419763
Type	AW 30 41 FT
Description 1	Wall and support bracket
Description 2	with welded head plate
Manufacturer	OBO
Dimension	B410mm
Material	Steel
Surface	Hot-dip galvanised
Surface standard	DIN EN ISO 1461
Smallest sales unit	1
Unit of quantity	Piece
Weight	88.5 kg
Weight unit	kg/100 pc.

Dimensions



Width	410 mm
Height	80 mm
Dimension A	50 mm
Dimension B	410 mm
Dimension H	80 mm
Dimension L	410 mm

Technical data sheet

Wall and support bracket AW 30 FT

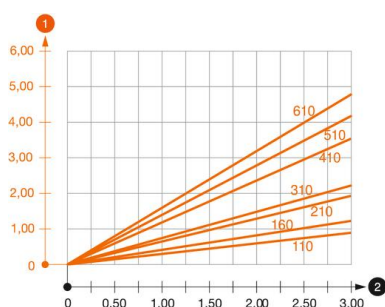
Item number: 6419763



Technical data

Version for	Wall and support bracket
EPD article	yes
F in kN	3 kN
Maintain electrical functions	yes
Hole diameter	13 mm
Rustproof steel, pickled	no
Angle range, max.	90 mm
Angle range, min.	90 mm

Loads



Load diagram, bracket, type AW 30

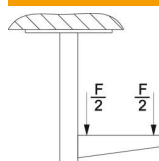
- 1 Bending of the bracket tip at permitted bracket load
- 2 Permitted bracket load in kN without man load
- Load curve with bracket lengths in mm

Characteristic anchor load values for wall and support bracket AW 30

Wall fastening	Max. load [kN]								
	Bracket width [mm]								
Anchor type	110	160	210	310	410	510	560	610	710
BZ3 10x90/0-30	3.00	2.10	-	-	-	-	-	-	-
BZ3 12x110/0-35	-	-	3.00	2.71	2.07	2.02	1.98	1.98	1.51

Die angegebenen Werte basieren auf ungerissenen Beton der Festigkeitsklasse C20/25. Die Einbaubedingungen der ETA-Zulassung (Dübel) sind zu beachten!

Load values for AW 30 on suspended support



Support	Max. total load F in kN			
	Bracket length in mm			
	100	200	300	400
US 3 K/ 20 - 60	2.1	1.8	1.3	1.3
US 3 K/ 70 - 120	1.8	1.5	1.3	1.3
US 5 K/ 20 - 60	2.4	2.0	1.8	2.5
US 5 K/ 70 - 120	2.4	2.0	1.4	2.5