

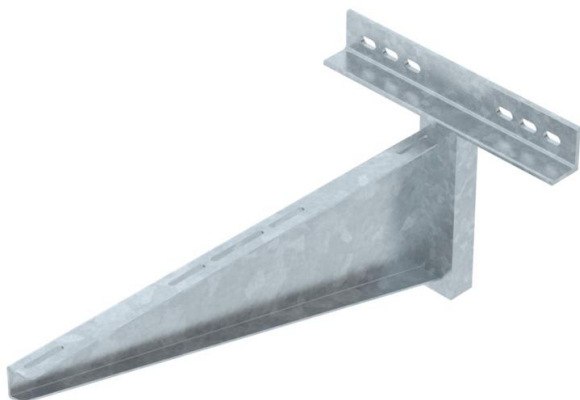
Technical data sheet

Wall and clamping bracket AWSS FT

Item number: 6417926



Wall bracket, heavy duty.
The heavy-duty wall bracket can be used in conjunction with wide span systems or for large support distances of cable tray or cable ladder systems.



St Steel

FT Hot-dip galvanised

Master data

| | |
|---------------------|--------------------|
| Item number | 6417926 |
| Type | AWSS 71 FT |
| Description 1 | Wall bracket |
| Description 2 | heavyweight type |
| Manufacturer | OBO |
| Dimension | B710mm |
| Material | Steel |
| Surface | Hot-dip galvanised |
| Surface standard | DIN EN ISO 1461 |
| Smallest sales unit | 1 |
| Unit of quantity | Piece |
| Weight | 840 kg |
| Weight unit | kg/100 pc. |

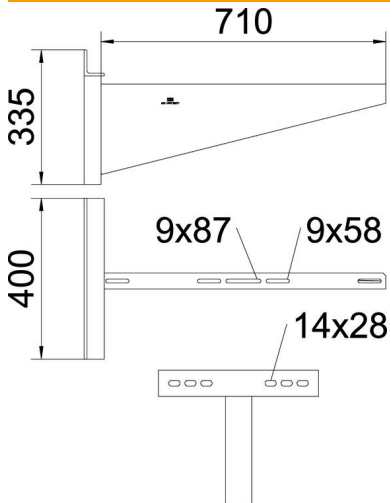
Technical data sheet

Wall and clamping bracket AWSS FT

Item number: 6417926



Dimensions



| | |
|--------------|--------|
| Length | 400 mm |
| Width | 710 mm |
| Height | 335 mm |
| Dimension A | 400 mm |
| Dimension B | 710 mm |
| Dimension b | 160 mm |
| Dimension b1 | 240 mm |
| Dimension b2 | 320 mm |
| Dimension H | 335 mm |

Technical data

| | |
|-------------------------------|---------------|
| Version for | Wall brackets |
| F in kN | 8 kN |
| Maintain electrical functions | no |
| Hole diameter | 14 mm |
| Rustproof steel, pickled | no |

Characteristic anchor load values for wall and clamping bracket AWSS

| Anchor type | Max. load [kN] | | | | | | | | | |
|-----------------|--------------------|-----|-----|-----|-----|-----|-----|-----|-------|--|
| | Bracket width [mm] | | | | | | | | | |
| BZ 12-15-35/110 | 210 | 310 | 410 | 510 | 610 | 710 | 810 | 910 | 1,010 | |
| | 10 | 10 | 10 | 10 | 10 | 8 | 7 | 6.5 | 5.5 | |

Max. total load F = cable weight + cable tray + bracket. The load capacity values increase considerably when used in uncracked concrete. Observe the load capacity of the brackets (diagram) and the installation conditions of the DIBt approval (anchors). The testing of the widths 710–1010 mm took place at the maximum route width (600 mm) with the load at the end of the bracket.