

# Technical data sheet

## Wall and support bracket AWG 15 A4

Item number: 6420646



Light-duty wall and support bracket with welded head plate for screwless mesh cable tray fastening.  
Fastening of the bracket to the U support of width 400 mm or greater using a hexagonal bolt through both sides of the support. Please insert suitable spacers.



**A4** Stainless steel

**2B** Bright, treated

### Master data

Item number	6420646
Type	AWG 15 31 A4
Description 1	Wall and support bracket
Description 2	for mesh cable tray
Manufacturer	OBO
Dimension	B310mm
Material	Stainless steel
Surface	Bright, treated
Surface standard	
Smallest sales unit	1
Unit of quantity	Piece
Weight	33 kg
Weight unit	kg/100 pc.

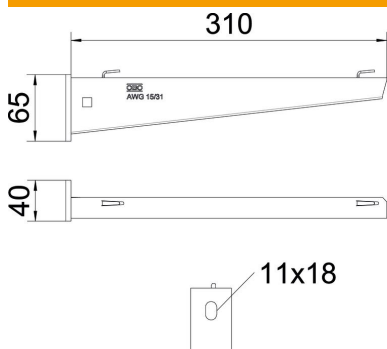
# Technical data sheet

## Wall and support bracket AWG 15 A4

Item number: 6420646



### Dimensions

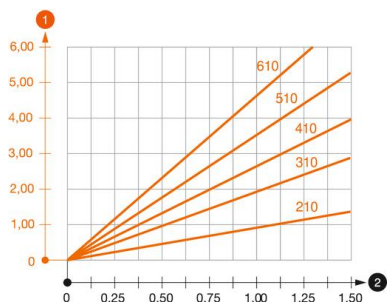


Width	310 mm
Height	65 mm
Dimension A	40 mm
Dimension B	310 mm
Dimension H	65 mm
Dimension L	310 mm

### Technical data

Version for	Wall and support bracket
F in kN	1.5 kN
Maintain electrical functions for width max.	no
for width min.	300 mm
Hole diameter	300
Rustproof steel, pickled	11 mm
Angle range, max.	no
Angle range, min.	90 mm

### Loads



#### Load diagram, bracket type AW G 15

- 1** Bending of the bracket tip at permitted bracket load
- 2** Permitted bracket load in kN without man load
- Load curve with bracket lengths in mm

### Characteristic anchor load values for wall and support bracket AW G 15

Wall fastening	Max. load [kN]							
	Bracket width [mm]							
Anchor type	110%	200	300	400	500	600	560	610
BZ3 10x90/0-30	1.5	1.5	1.5	0.65	0.61	0.55	0.95	0.94

Die angegebenen Werte basieren auf ungerissenen Beton der Festigkeitsklasse C20/25. Die Einbaubedingungen der ETA-Zulassung (Dübel) sind zu beachten!