

Technical data sheet

Wall and support bracket AWG 15 A4

Item number: 6420644



Light-duty wall and support bracket with welded head plate for screwless mesh cable tray fastening.
Fastening of the bracket to the U support of width 400 mm or greater using a hexagonal bolt through both sides of the support. Please insert suitable spacers.



A4 Stainless steel

2B Bright, treated

Master data

Item number	6420644
Type	AWG 15 21 A4
Description 1	Wall and support bracket
Description 2	for mesh cable tray
Manufacturer	OBO
Dimension	B210mm
Material	Stainless steel
Surface	Bright, treated
Surface standard	
Smallest sales unit	1
Unit of quantity	Piece
Weight	25 kg
Weight unit	kg/100 pc.

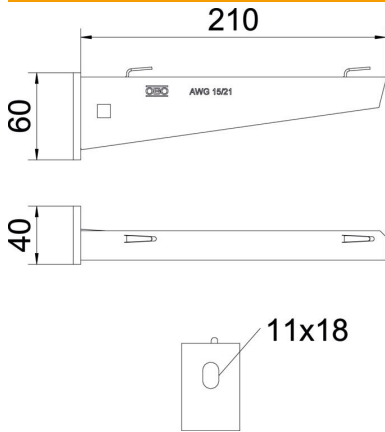
Technical data sheet

Wall and support bracket AWG 15 A4

Item number: 6420644



Dimensions



Width	210 mm
Height	65 mm
Dimension A	40 mm
Dimension B	210 mm
Dimension H	60 mm
Dimension L	310 mm

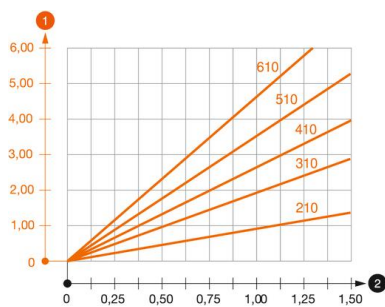
Chara

Die ange
achten!

Technical data

Version for	Wall and support bracket
F in kN	1.5 kN
Maintain electrical functions for width max.	no
for width min.	300
Hole diameter	11 mm
Rustproof steel, pickled	no
Angle range, max.	90 mm
Angle range, min.	90 mm

Loads



Load diagram, bracket type AW G 15

- 1 Bending of the bracket tip at permitted bracket load
- 2 Permitted bracket load in kN without man load
- Load curve with bracket lengths in mm