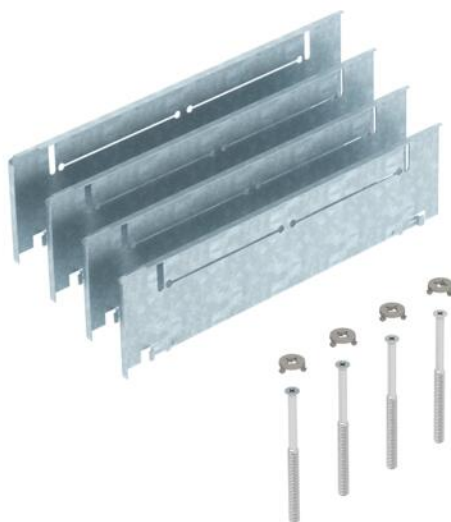


# Technical data sheet

Height compensation set (115-170 mm) for UZD/UGD250-3  
with height 70–125 mm  
Item number: 7410142



Height compensation set for underfloor boxes UZD250-3 and UGD250-3 with a construction height of 70 to 125 mm for construction stacking of the UZD/UGD to a height of 115-170 mm, consisting of four fall plates, four height adjustment screws and four rotary locks.



**St** Steel

**FS** Strip galvanized

## Master data

Item number	7410142
Type	ASH250-3 B115170
Description 1	Height construction set
Description 2	for screed height 115+55mm
Manufacturer	OBO
Material	Steel
Surface	Strip galvanized
Surface standard	DIN EN 10346
Smallest sales unit	1
Unit of quantity	Piece
Weight	76.5 kg
Weight unit	kg/100 pc.

# Technical data sheet

Height compensation set (115-170 mm) for UZD/UGD250-3  
with height 70–125 mm

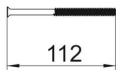
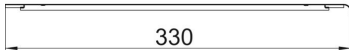
Item number: 7410142



## Dimensions



Dimension A	330 mm
Dimension B	80 mm
Dimension I	112 mm



## Technical data

Version for	Square
Floor plate	no
Lowerable to be flush-floor	no
Seal installation option	no
Installation opening for on-floor tank	no
Decouplable	no
Screed height, max.	170 mm
Screed height, min.	115 mm
For pipe connection	no
Suitable for raised floor installation	no
Suitable for screed-flush closed underfloor ducts	no
Suitable for screed-covered underfloor ducts	yes
Suitable for cavity floor installation	no
Suitable for underfloor ducts	no
Trunking width, max.	250 mm
Trunking width, min.	190 mm
Height-adjustment range, max.	170 mm
Height-adjustment range, min.	115 mm