

# Technical data sheet

## Spacer clip 732 A2

Item number: 1362628



Spacer clip for the installation of pipes and cables on walls, ceiling and floors. With self-locking upper part. Surfaces G and FT from a clip size of 20 are suitable for installation with a nail device or a bolt-firing tool.

Approved for the maintenance of electrical function according to DIN 4102 Part 12, maintenance of electrical function classes E30 to E90.



**A2** Stainless steel

### Master data

|                     |                             |
|---------------------|-----------------------------|
| Item number         | 1362628                     |
| Type                | ASG 732 10 A2               |
| Description 1       | Distance saddle             |
| Description 2       | with threaded connection M6 |
| Manufacturer        | OBO                         |
| Dimension           | 8-10mm                      |
| Material            | Stainless steel             |
| Smallest sales unit | 25                          |
| Unit of quantity    | Piece                       |
| Weight              | 1.749 kg                    |
| Weight unit         | kg/100 pc.                  |

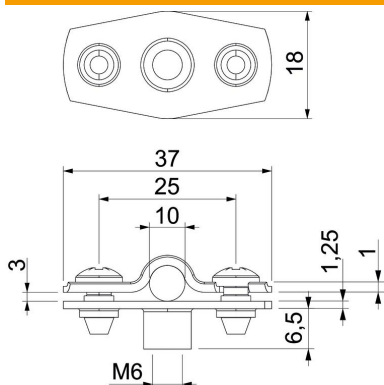
# Technical data sheet

## Spacer clip 732 A2

Item number: 1362628



### Dimensions



|                   |       |
|-------------------|-------|
| Dimension A       | 37 mm |
| Dimension B       | 25 mm |
| Dimension b       | 18 mm |
| Dimension D       | 10 mm |
| Dimension d max.  | 10 mm |
| Dimension d min.  | 8 mm  |
| Dimension H1      | 12 mm |
| Dimension t1 (mm) | 1     |
| Dimension t2 (mm) | 1.25  |
| Dimension x       | 3 mm  |

### Technical data

|                                  |         |
|----------------------------------|---------|
| Distance to the wall             | yes     |
| Number of cables/pipes           | 1       |
| Version for                      | Closed  |
| For diameter                     | 8 - 10  |
| Suitable in fire protection area | yes     |
| Halogen-free                     | yes     |
| Plastic-covered                  | no      |
| Material thickness               | 1.25 mm |
| Clamping range D, max.           | 10 mm   |
| Clamping range D, min.           | 8 mm    |
| UV-resistant                     | yes     |