

# Technical data sheet

## Connection cable – AL EX ISG

Item number: 5240104



UV-resistant connection cable (copper 25 mm<sup>2</sup>) for mounting the OBO Ex spark gap, type EX ISG, on insulating flanges and insulating pieces. With cable shoe for M10 bolts on both sides, on one side with M10 bolt, nuts and spring ring.



**Cu** Copper

### Master data

Item number	5240104
Type	AL EX ISG 200
Description 1	Connecting cable
Description 2	for EX ISG H
Manufacturer	OBO
Dimension	200mm
Material	Copper
Smallest sales unit	1
Unit of quantity	Piece
Weight	12.3 kg
Weight unit	kg/100 pc.

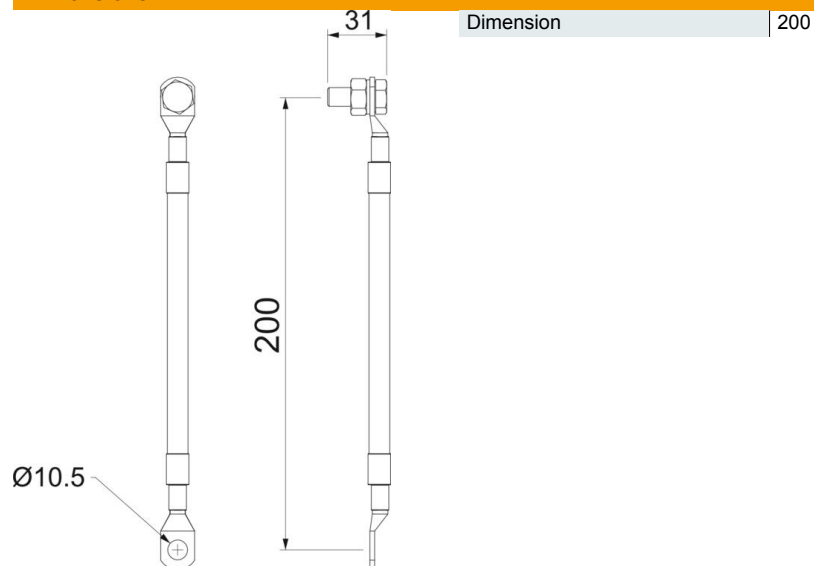
# Technical data sheet

## Connection cable – AL EX ISG

Item number: 5240104



### Dimensions



Dimension	200
-----------	-----

### Technical data

Connecting cable length	0.2 m
Accessories	yes
Spare part	no
Type of accessory, accessory for surge protection, energy technology	Connection cable