

Technical data sheet

Hammer-head bolt A4

Item number: 1148092



Hammer-head bolt for use with CM3015, CM3518 and AM3518 profile rails



A4 Stainless steel

2B Bright, treated

Master data

Item number	1148092
Type	ACMHB M10x60 A4
Description 1	Hammerhead screw
Description 2	for profile rails, medium
Manufacturer	OBO
Dimension	M10x60mm
Material	Stainless steel
Surface	Bright, treated
Surface standard	
Smallest sales unit	25
Unit of quantity	Piece
Weight	6.24 kg
Weight unit	kg/100 pc.

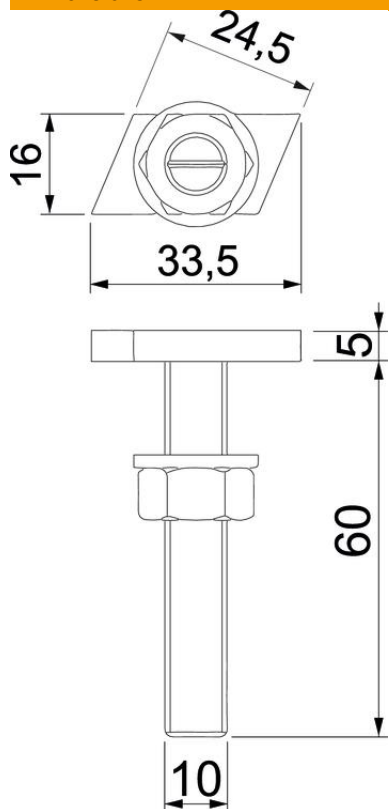
Technical data sheet

Hammer-head bolt A4

Item number: 1148092



Dimensions



Length	33.5 mm
Width	16 mm
Height	6 mm
Dimension L	60 mm

Technical data

Suitable for mounting rail	yes
Thread	M 10 x 60mm
Thread metric	10