

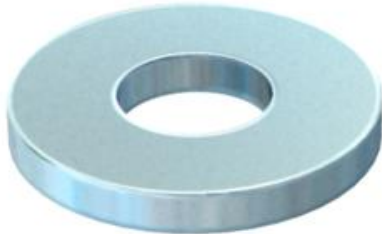
Technical data sheet

Washer F

Item number: 3402444



Washer for universal use.



St Steel

F Hot galvanized

Master data

Item number	3402444
Type	966 M6 F
Description 1	Washer
Description 2	to DIN 125/A
Manufacturer	OBO
Dimension	M6
Material	Steel
Surface	Hot galvanized
Surface standard	DIN 267, Teil 10
Smallest sales unit	100
Unit of quantity	Piece
Weight	0.098 kg
Weight unit	kg/100 pc.

Dimensions

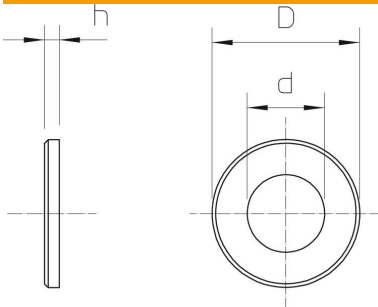


Plate thickness	0.06 in
Dimension D	0.47 in
Dimension d	0.26 in
Dimension d	6.6 mm
Dimension d max.	12 mm
Dimension d min.	12 mm
Dimension h	1.6 mm

Technical data sheet

Washer F

Item number: 3402444



Technical data

Thread	M6
Inner diameter	6.4 mm
Hole diameter	6.4 mm
Material thickness	1.6 mm
Hole shape	Round