

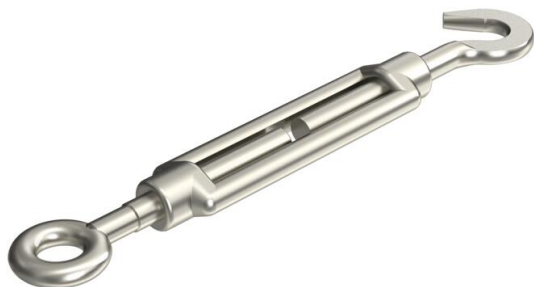
Technical data sheet

Tension jack A4

Item number: 5300120



With hook and eye, to DIN 1480.



A4 Stainless steel

2B Bright, treated

Master data

Item number	5300120
Type	945 M6 A4
Description 1	Tensioner
Manufacturer	OBO
Dimension	M6
Material	Stainless steel
Surface	Bright, treated
Surface standard	
Smallest sales unit	5
Unit of quantity	Piece
Weight	10.5 kg
Weight unit	kg/100 pc.

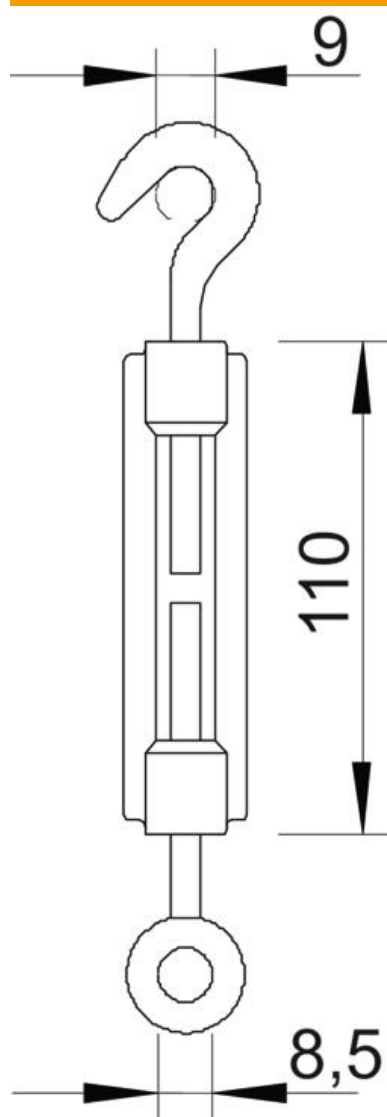
Technical data sheet

Tension jack A4

Item number: 5300120



Dimensions



Dimension A	9 mm
Dimension B	8.5 mm
Dimension C	110 mm

Technical data

Breaking load	2 kN
Thread	M6
Length of clamping nut C	110 mm
Span width	80 mm