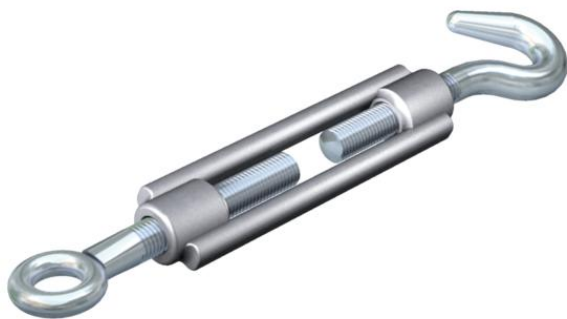


Technical data sheet

Tension jack G

Item number: 5300088



With hook and eye, to DIN 1480.

CE

- St** Steel
- G** Electrogalvanized

Master data

Item number	5300088
Type	945 M16 G
Description 1	Tensioner
Manufacturer	OBO
Dimension	M16
Material	Steel
Surface	Electrogalvanized
Surface standard	EN ISO 19598 / EN ISO 4042
Smallest sales unit	5
Unit of quantity	Piece
Weight	84 kg
Weight unit	kg/100 pc.

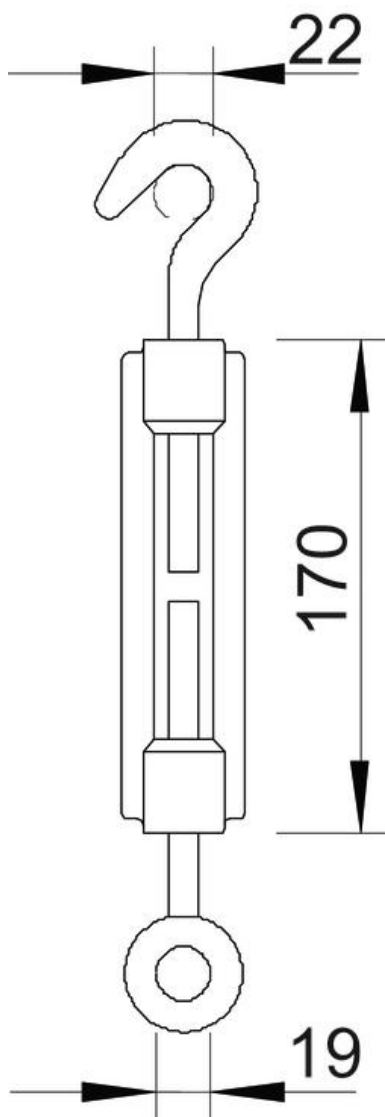
Technical data sheet

Tension jack G

Item number: 5300088



Dimensions



Dimension A	22 mm
Dimension B	19 mm
Dimension C	170 mm

Technical data

Breaking load	8.5 kN
Thread	M16
Length of clamping nut C	170 mm
Span width	110 mm