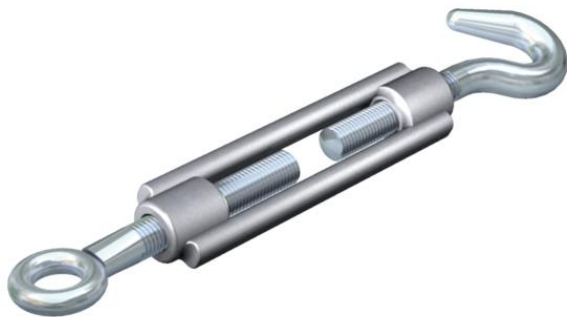


# Technical data sheet

## Tension jack G

Item number: 5300061



With hook and eye, to DIN 1480.

CE

- St** Steel
- G** Electrogalvanized

### Master data

Item number	5300061
Type	945 M12 G
Description 1	Tensioner
Manufacturer	OBO
Dimension	M12
Material	Steel
Surface	Electrogalvanized
Surface standard	EN ISO 19598 / EN ISO 4042
Smallest sales unit	5
Unit of quantity	Piece
Weight	53 kg
Weight unit	kg/100 pc.

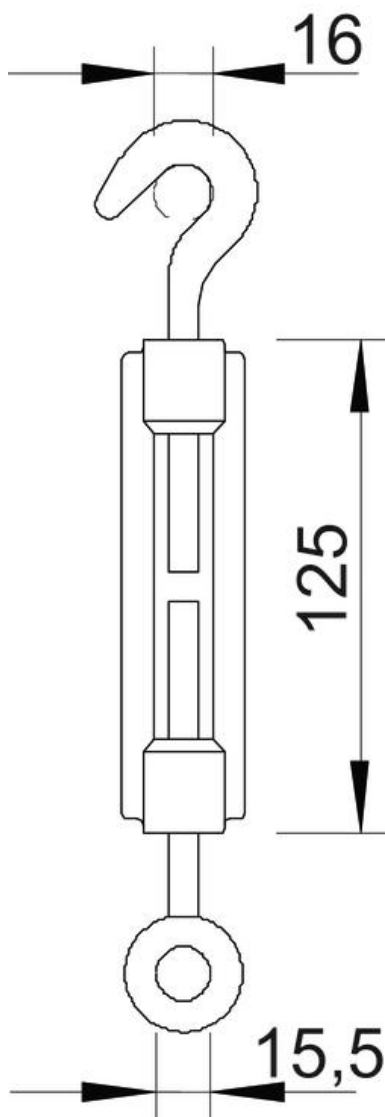
# Technical data sheet

## Tension jack G

Item number: 5300061



### Dimensions



Dimension A	16 mm
Dimension B	15.5 mm
Dimension C	125 mm

### Technical data

Breaking load	7 kN
Thread	M12
Length of clamping nut C	125 mm
Span width	85 mm