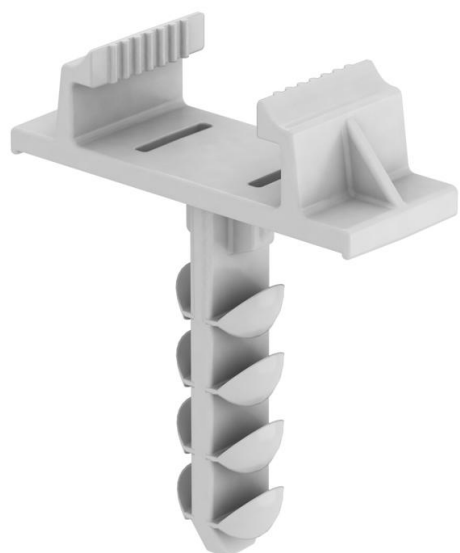


Technical data sheet

Push-fit anchor for Quick clip, type 2957

Item number: 2351650



Push-fit anchor suitable for Quick clip, type 2957. The anchor is fixed to the Quick clip by a locking mechanism. Suitable for rapid mounting in concrete walls and masonry.

The anchor is pushed into the hole until the clip makes contact with the surface.



PA Polyamide

Master data

Item number	2351650
Type	910 STQS 6x26
Description 1	Push-fit plug
Description 2	for Quick clip 2957
Manufacturer	OBO
Dimension	6x26mm
Colour	Light grey; RAL 7035
Material	Polyamide
Smallest sales unit	100
Unit of quantity	Piece
Weight	0.11 kg
Weight unit	kg/100 pc.

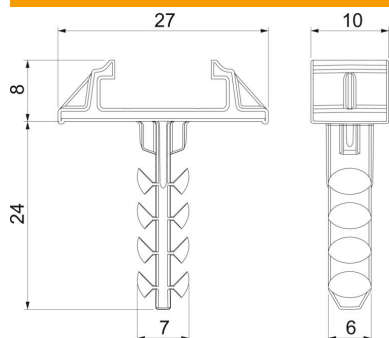
Technical data sheet

Push-fit anchor for Quick clip, type 2957

Item number: 2351650



Dimensions



Length	26 mm
Dimension L	26 mm

Technical data

Version for	Push-fit anchor
Drill hole depth	30 mm
Drill hole diameter, min.	6 mm
Suitable for fastening with cable ties	no
Suitable for gas concrete	yes
Suitable for hexagonal wood screw	no
Halogen-free	yes
With edge	yes
With bolts	no