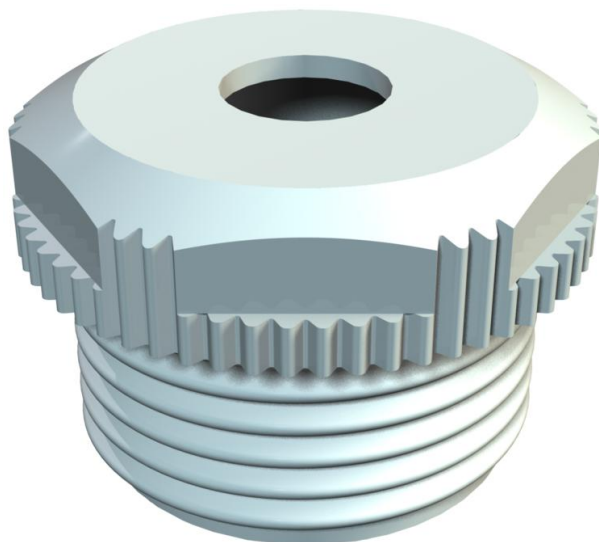


# Technical data sheet

## Screw-in nipple, PG thread, with opening

Item number: 2032201



With open cable entry.

Grip seal to screw into PG thread end to DIN 40430.

With self-sealing cone at the end of the thread, therefore no connection thread sealing ring required.

Protection rating achievable with careful mounting: IP54.  
With open cable entry.



**PE** Polyethylene

### Master data

Item number	2032201
Type	90 PG21 OF
Description 1	Screw-in nipple
Description 2	open version
Manufacturer	OBO
Dimension	PG21
Colour	Light grey; RAL 7035
Material	Polyethylene
Smallest sales unit	50
Unit of quantity	Piece
Weight	0.409 kg
Weight unit	kg/100 pc.

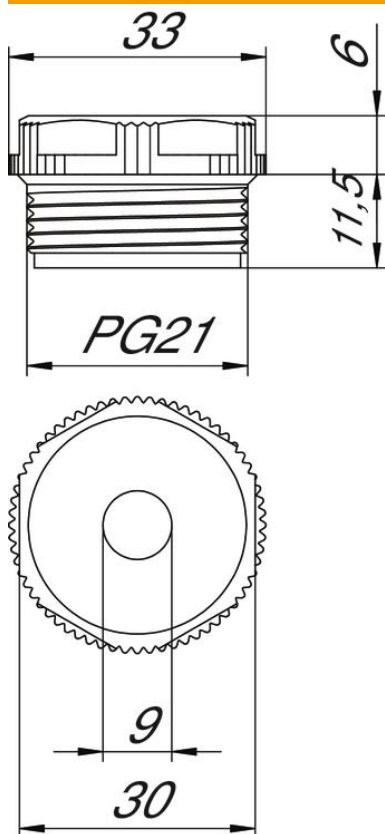
# Technical data sheet

## Screw-in nipple, PG thread, with opening

Item number: 2032201



### Dimensions



Dimension D	9 mm
Dimension E	33 mm
Dimension L1	11.5 mm
Dimension L2	6 mm

### Technical data

Thread length	11.5 mm
Size	Pg 21
Halogen-free	yes
WAF	30
Protection rating	IP54