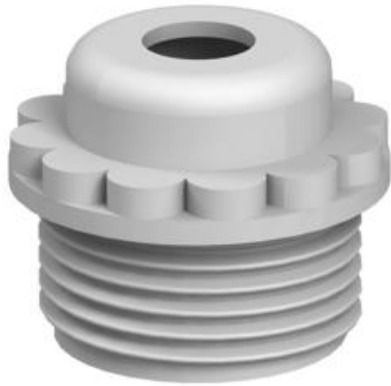


# Technical data sheet

## Screw-in nipple, PG thread, with opening

Item number: 2032163



With open cable entry.

Grip seal to screw into PG thread end to DIN 40430.

With self-sealing cone at the end of the thread, therefore no connection thread sealing ring required.

Protection rating achievable with careful mounting: IP54.  
With open cable entry.



**PE** Polyethylene

### Master data

|                     |                      |
|---------------------|----------------------|
| Item number         | 2032163              |
| Type                | 90 PG16 OF           |
| Description 1       | Screw-in nipple      |
| Description 2       | open version         |
| Manufacturer        | OBO                  |
| Dimension           | PG16                 |
| Colour              | Light grey; RAL 7035 |
| Material            | Polyethylene         |
| Smallest sales unit | 100                  |
| Unit of quantity    | Piece                |
| Weight              | 0.251 kg             |
| Weight unit         | kg/100 pc.           |

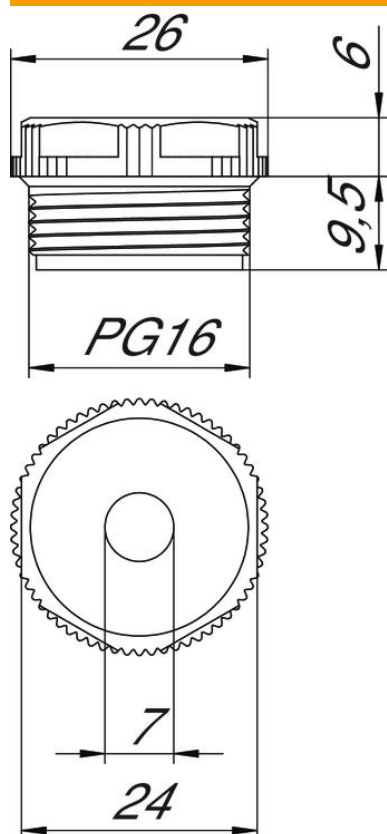
# Technical data sheet

Screw-in nipple, PG thread, with opening

Item number: 2032163



## Dimensions



|              |        |
|--------------|--------|
| Dimension D  | 7 mm   |
| Dimension E  | 26 mm  |
| Dimension L1 | 9.5 mm |
| Dimension L2 | 6 mm   |

## Technical data

|                   |        |
|-------------------|--------|
| Thread length     | 9.5 mm |
| Size              | Pg 16  |
| Halogen-free      | yes    |
| WAF               | 24     |
| Protection rating | IP54   |