

Technical data sheet

Screw-in nipple, metric thread, with perforation membrane

Item number: 2032382



With perforation membranes, the opening D is pre-marked, but closed.

Grip seal to screw into metric thread to IEC 423.

With self-sealing cone at the end of the thread, therefore no connection thread sealing ring required.

Protection rating achievable with careful mounting: IP54.

With perforation membranes, the opening D is pre-marked, but closed.



PE Polyethylene

Master data

Item number	2032382
Type	90 M20 GE
Description 1	Screw-in nipple
Description 2	closed version
Manufacturer	OBO
Dimension	M20
Colour	Light grey; RAL 7035
Material	Polyethylene
Smallest sales unit	100
Unit of quantity	Piece
Weight	0.268 kg
Weight unit	kg/100 pc.

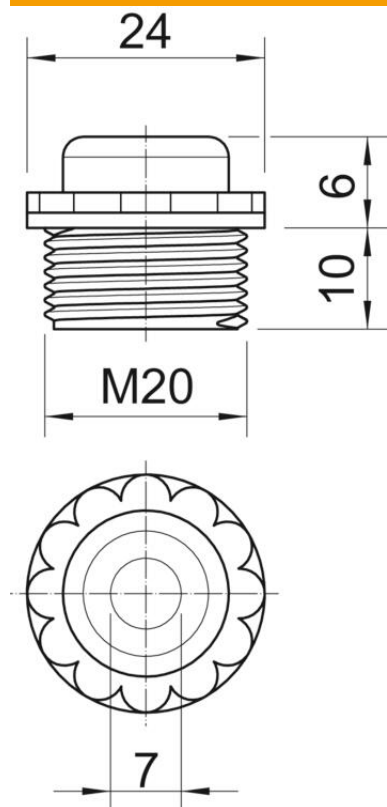
Technical data sheet

Screw-in nipple, metric thread, with perforation membrane



Item number: 2032382

Dimensions



Dimension D	7 mm
Dimension E	24 mm
Dimension L1	10 mm
Dimension L2	6 mm

Technical data

Thread length	10 mm
Size	M20
Halogen-free	yes
WAF	21
Protection rating	IP54