

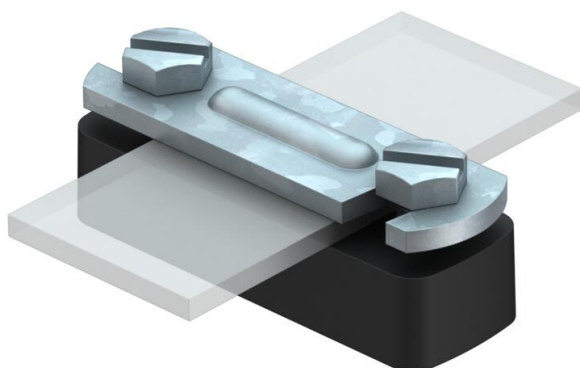
# Technical data sheet

## Spacer for flat conductor, with polyamide base

Item number: 5033039



- Fit: FL 30
- With mounting hole 6.2 x 22 mm
- With 2 cylinder bolts M6 x 16 and over-piece from hot-dip galvanised steel
- Bottom section from polyamide, black



<b>St</b>	Steel
<b>FT</b>	Hot-dip galvanised

### Master data

Item number	5033039
Type	833 35
Description 1	Spacer
Description 2	for steel strip
Manufacturer	OBO
Dimension	35mm
Material	Steel
Surface	Hot-dip galvanised
Surface standard	DIN EN ISO 1461
Smallest sales unit	25
Unit of quantity	Piece
Weight	4.228 kg
Weight unit	kg/100 pc.

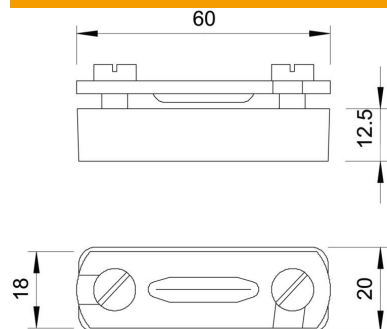
# Technical data sheet

Spacer for flat conductor, with polyamide base

Item number: 5033039



## Dimensions



Dimension B	60 mm
-------------	-------

## Technical data

Fit	max. FL30 mm
Intermediate plate	no