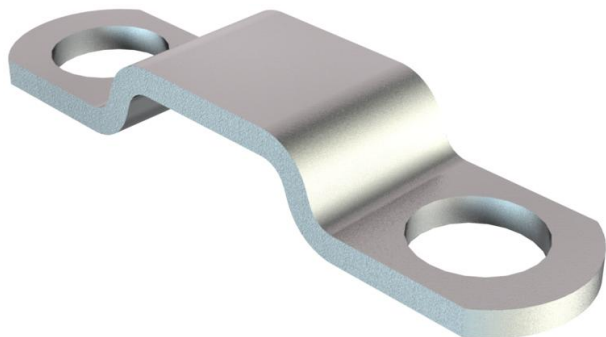


Technical data sheet

Strain relief clip 7905

Item number: 1439014



Strain relief clip 5 mm

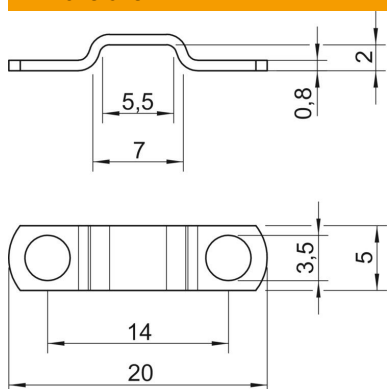


- St** Steel
- G** Electrogalvanized

Master data

Item number	1439014
Type	7905 5 G
Description 1	Strain relief clip
Manufacturer	OBO
Dimension	5mm
Material	Steel
Surface	Electrogalvanized
Surface standard	EN ISO 19598 / EN ISO 4042
Smallest sales unit	100
Unit of quantity	Piece
Weight	0.054 kg
Weight unit	kg/100 pc.

Dimensions



Length	20 mm
Width	5 mm
Height	2 mm
Dimension a	7 mm
Dimension a1 (mm)	5.5 mm
Dimension b	5 mm
Dimension d	3.5 mm
Dimension h	2 mm
Dimension L	20 mm
Dimension l	14 mm
Dimension t	0.8 mm

Technical data sheet

Strain relief clip 7905

Item number: 1439014



Technical data

Distance to the wall	no
Number of cables/pipes	1
Version for	Two-lobe
Fastening type	Screw hole
For diameter	5
Suitable in fire protection area	no
Halogen-free	yes
Plastic-covered	no
Hole size	3,5 mm
Material thickness	0.8 mm
Clamping range D, max.	5 mm
Clamping range D, min.	5 mm
UV-resistant	yes