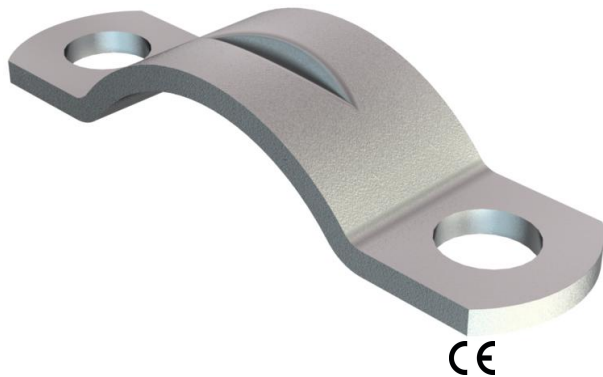


Technical data sheet

Strain relief clip 7903

Item number: 1437003



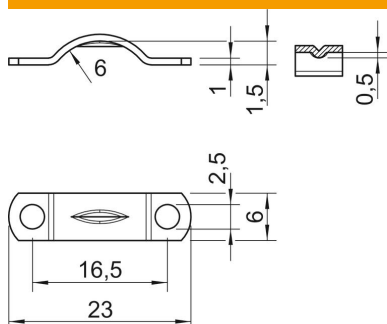
Fastening clip for strain relief of cables

- St** Steel
- G** Electrogalvanized

Master data

| | |
|---------------------|----------------------------|
| Item number | 1437003 |
| Type | 7903 6 G |
| Description 1 | Strain relief clip |
| Manufacturer | OBO |
| Dimension | 6mm |
| Material | Steel |
| Surface | Electrogalvanized |
| Surface standard | EN ISO 19598 / EN ISO 4042 |
| Smallest sales unit | 100 |
| Unit of quantity | Piece |
| Weight | 0.105 kg |
| Weight unit | kg/100 pc. |

Dimensions



| | |
|-------------------|---------|
| Length | 23 mm |
| Width | 6 mm |
| Height | 1.5 mm |
| Dimension b | 6 mm |
| Dimension d | 2.5 mm |
| Dimension h | 1.5 mm |
| Dimension H1 (mm) | 0.5 |
| Dimension L | 23 mm |
| Dimension l | 16.5 mm |
| Dimension R | 6 mm |
| Dimension t | 1 mm |

Technical data sheet

Strain relief clip 7903

Item number: 1437003



Technical data

| | |
|----------------------------------|------------|
| Distance to the wall | no |
| Number of cables/pipes | 1 |
| Version for | Two-lobe |
| Fastening type | Screw hole |
| For diameter | 6 |
| Suitable in fire protection area | no |
| Size | I |
| Halogen-free | yes |
| Plastic-covered | no |
| Hole size | 2,5 mm |
| Material thickness | 0.5 mm |
| Nominal diameter | 6 mm |
| Clamping range D, max. | 6 mm |
| Clamping range D, min. | 6 mm |
| UV-resistant | yes |