

Technical data sheet

Fastening clip 604, light duty

Item number: 1003100



Single-lobe fastening clip for cables and pipes.
* Sizes 3 and 4 are not suitable for nail device
* Sizes 3 to 21 are not suitable for bolt-firing tool



St Steel

G Electrogalvanized

Master data

Item number	1003100
Type	604 10 G
Description 1	Fastening clip
Description 2	single lobe
Manufacturer	OBO
Dimension	10mm
Material	Steel
Surface	Electrogalvanized
Surface standard	EN ISO 19598 / EN ISO 4042
Smallest sales unit	100
Unit of quantity	Piece
Weight	0.15 kg
Weight unit	kg/100 pc.

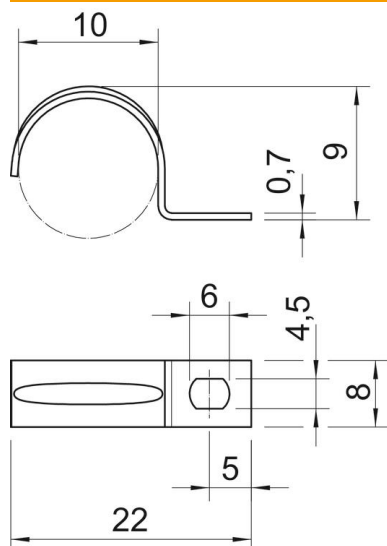
Technical data sheet

Fastening clip 604, light duty

Item number: 1003100



Dimensions



Length	22 mm
Width	8 mm
Height	9 mm
Dimension A	5 mm
Dimension b	8 mm
Dimension D	10 mm
Dimension d	4.5 mm
Dimension e	6 mm
Dimension H	9 mm
Dimension L	22 mm
Dimension t	0.7 mm

Technical data

Distance to the wall	no
Number of cables/pipes	1
Version for	Single-lobe
Fastening type	Screw hole
For diameter	10
Suitable in fire protection area	no
Halogen-free	yes
Plastic-covered	no
Hole size	4,5 x 6 mm
Material thickness	0.7 mm
Nominal diameter	10 mm
UV-resistant	yes