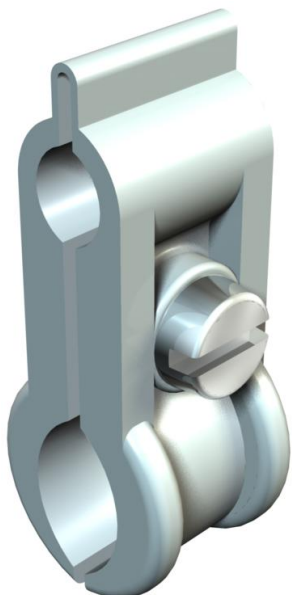


# Technical data sheet

## Tensioning wire clip, polystyrene

Item number: 2305151



Bolt, steel, electrogalvanised, light grey.



**PS** Polystyrene

### Master data

Item number	2305151
Type	4024 9-16
Description 1	Tensioning wire clip
Manufacturer	OBO
Dimension	9-16mm
Colour	Light grey; RAL 7035
Material	Polystyrene
Smallest sales unit	100
Unit of quantity	Piece
Weight	0.46 kg
Weight unit	kg/100 pc.

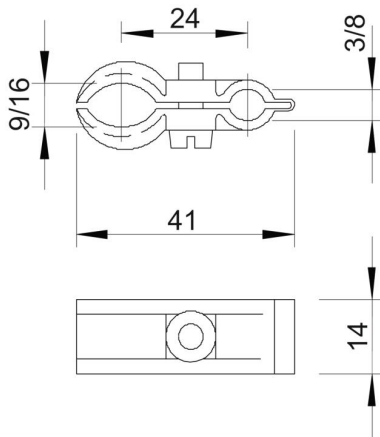
# Technical data sheet

## Tensioning wire clip, polystyrene

Item number: 2305151



### Dimensions



Dimension A	41 mm
Dimension B	24 mm
Dimension b	14 mm

### Technical data

Number of cables/pipes	1
Version for for cable diameter, max.	Not insulated 8 mm
Halogen-free	yes
Bolt	M4x13