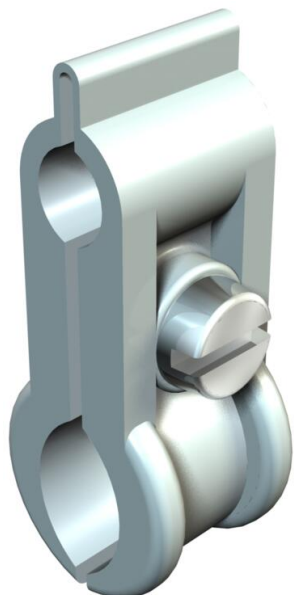


Technical data sheet

Tensioning wire clip, polystyrene

Item number: 2305232



Bolt, steel, electrogalvanised, light grey.



PS Polystyrene

Master data

Item number	2305232
Type	4024 16-23
Description 1	Tensioning wire clip
Manufacturer	OBO
Dimension	16-23mm
Colour	Light grey; RAL 7035
Material	Polystyrene
Smallest sales unit	50
Unit of quantity	Piece
Weight	0.93 kg
Weight unit	kg/100 pc.

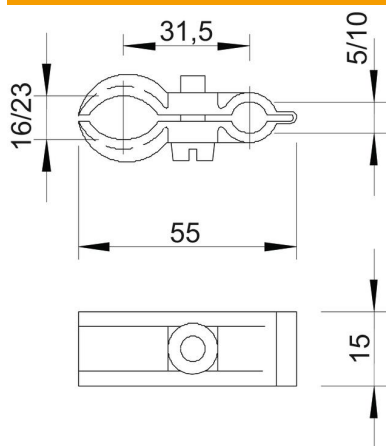
Technical data sheet

Tensioning wire clip, polystyrene

Item number: 2305232



Dimensions



Dimension A	55 mm
Dimension B	31.5 mm
Dimension b	15 mm

Technical data

Number of cables/pipes	1
Version for for cable diameter, max.	Not insulated 10 mm
Halogen-free	yes
Bolt	M5x20