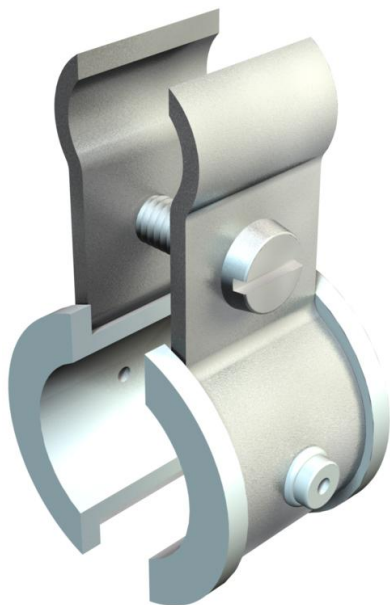


Technical data sheet

Fix ISO tensioning wire clip

Item number: 2307618



Metal clip with plastic inlay, steel, strip galvanised, polyethylene inlays.



CE

St Steel

FS Strip galvanized

Master data

Item number	2307618
Type	4021 K 6-13
Description 1	Tensioning wire clip
Description 2	with plastic inserts
Manufacturer	OBO
Dimension	6-13mm
Colour	Light grey; RAL 7035
Material	Steel
Surface	Strip galvanized
Surface standard	DIN EN 10346
Smallest sales unit	100
Unit of quantity	Piece
Weight	1.295 kg
Weight unit	kg/100 pc.

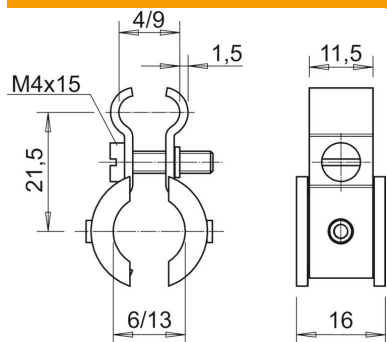
Technical data sheet

Fix ISO tensioning wire clip

Item number: 2307618



Dimensions



Dimension A	21.5 mm
Dimension b	11.5 mm
Dimension b1	16 mm

Technical data

Number of cables/pipes	1
Version for for cable diameter, max.	Not insulated 9 mm
Bolt	M4x16