

Technical data sheet

90° Quick pipe bend, light grey

Item number: 2154054



Fitting for plastic electrical installation pipes to create 90° bends. Suitable for Quick pipe pipes or corrugated pipes. Toolless closing and opening. Can be used in a temperature range of -25 to +60 °C.



PP Polypropylene

Master data

| | |
|---------------------|----------------------|
| Item number | 2154054 |
| Type | 3000 BMS M20 LGR |
| Description 1 | 90° Quick pipe bend |
| Manufacturer | OBO |
| Dimension | M20 |
| Colour | Light grey; RAL 7035 |
| Material | Polypropylene |
| Smallest sales unit | 5 |
| Unit of quantity | Piece |
| Weight | 1.103 kg |
| Weight unit | kg/100 pc. |

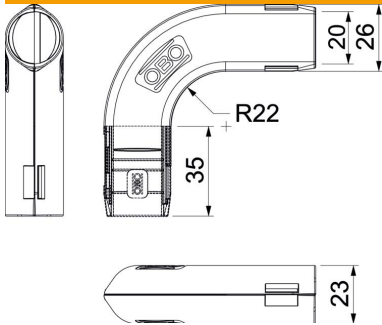
Technical data sheet

90° Quick pipe bend, light grey

Item number: 2154054



Dimensions



| | |
|--------------|---------|
| Dimension B | 26.3 mm |
| Dimension d | 20 mm |
| Dimension L | 83.2 mm |
| Dimension L1 | 35 mm |
| Dimension R | 22 mm |

Technical data

| | |
|-----------------------------------|-----------|
| Version for | Connector |
| Flexible | no |
| Halogen-free | yes |
| With inspection opening and lid | no |
| With sleeve | no |
| Brushed surface | no |
| Polished surface | no |
| Permitted temperature range, max. | 60 °C |
| Permitted temperature range, min. | 0 °C |
| Angle of the bend | 90 ° |
| Two-part | yes |