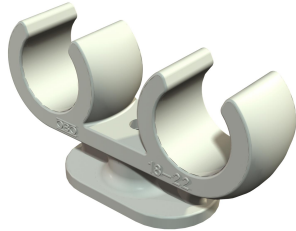


# Technical data sheet

## Base clamp clip, double

Item number: 2140608



Base clamp clip, two cables 10 mm



**PP** Polypropylene

### Master data

Item number	2140608
Type	2962 2X10
Description 1	Base clamp
Description 2	for 2 cables
Manufacturer	OBO
Dimension	10mm
Colour	Light grey; RAL 7035
Material	Polypropylene
Smallest sales unit	100
Unit of quantity	Piece
Weight	0.283 kg
Weight unit	kg/100 pc.

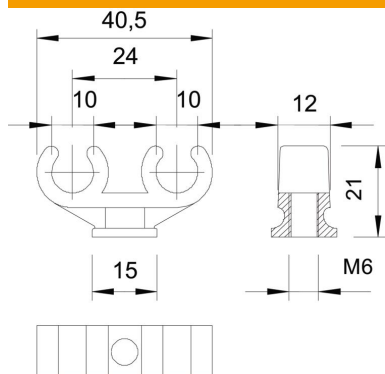
# Technical data sheet

## Base clamp clip, double

Item number: 2140608



### Dimensions



Dimension A	40.5 mm
Dimension B	12 mm
Dimension C	Ø 15 mm
Dimension H	21 mm
Dimension L	24 mm

### Technical data

Number of cables/pipes	2
Version for	Two-lobe
Fastening type	Threaded connection
Suitable in fire protection area	no
Size	10 + 10
Halogen-free	yes
Plastic-covered	no
Nominal diameter	9.6 mm
Clamping range D, max.	10 mm
Clamping range D, min.	10 mm
UV-resistant	no