

# Technical data sheet

## Base clamp clip, single

Item number: 2140284



Can be screwed onto M6 thread.



**PP** Polypropylene

### Master data

Item number	2140284
Type	2962 28 LGR
Description 1	Base clamp
Manufacturer	OBO
Dimension	25-28mm
Colour	Light grey; RAL 7035
Material	Polypropylene
Smallest sales unit	25
Unit of quantity	Piece
Weight	0.948 kg
Weight unit	kg/100 pc.

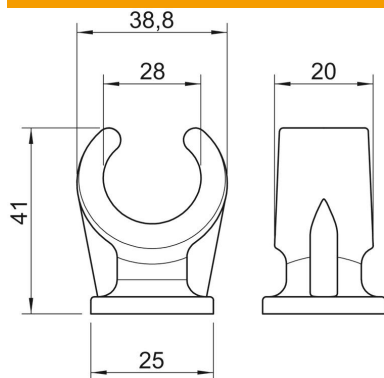
# Technical data sheet

## Base clamp clip, single

Item number: 2140284



### Dimensions



Dimension A	38.8 mm
Dimension B	20 mm
Dimension C	25 mm
Dimension H	41 mm

### Technical data

Number of cables/pipes	1
Version for	Single-lobe
Fastening type	Threaded connection
Suitable in fire protection area	no
Size	25-28
Halogen-free	yes
Plastic-covered	no
Nominal diameter	25 mm
Clamping range D, max.	28 mm
Clamping range D, min.	25 mm
UV-resistant	no