

Technical data sheet

Base clamp clip, single

Item number: 2140187



Can be screwed onto M6 thread.



PP

Polypropylene

Master data

Item number	2140187
Type	2962 18 LGR
Description 1	Base clamp
Manufacturer	OBO
Dimension	16-18mm
Colour	Light grey; RAL 7035
Material	Polypropylene
Smallest sales unit	100
Unit of quantity	Piece
Weight	0.377 kg
Weight unit	kg/100 pc.

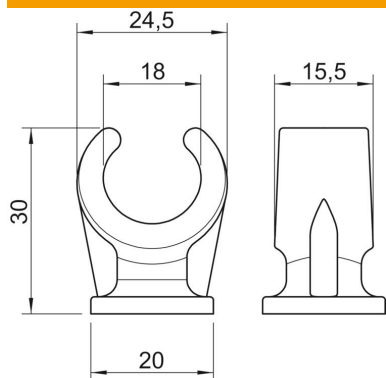
Technical data sheet

Base clamp clip, single

Item number: 2140187



Dimensions



Dimension A	24.5 mm
Dimension B	15.5 mm
Dimension C	20 mm
Dimension H	30 mm

Technical data

Number of cables/pipes	1
Version for	Single-lobe
Fastening type	Threaded connection
Suitable in fire protection area	no
Size	16-18
Halogen-free	yes
Plastic-covered	no
Nominal diameter	17.1 mm
Clamping range D, max.	18 mm
Clamping range D, min.	16 mm
UV-resistant	no