

Technical data sheet

Base clamp clip, single

Item number: 2140128



Can be screwed onto M6 thread.



PP Polypropylene

Master data

Item number	2140128
Type	2962 12 LGR
Description 1	Base clamp
Manufacturer	OBO
Dimension	12mm
Colour	Light grey; RAL 7035
Material	Polypropylene
Smallest sales unit	100
Unit of quantity	Piece
Weight	0.182 kg
Weight unit	kg/100 pc.

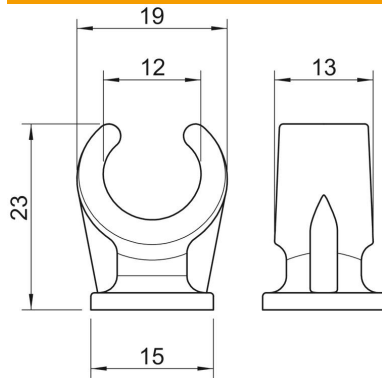
Technical data sheet

Base clamp clip, single

Item number: 2140128



Dimensions



Dimension A	19 mm
Dimension B	13 mm
Dimension C	15 mm
Dimension H	23 mm

Technical data

Number of cables/pipes	1
Version for	Single-lobe
Fastening type	Threaded connection
Suitable in fire protection area	no
Size	12
Halogen-free	yes
Plastic-covered	no
Nominal diameter	11.2 mm
Clamping range D, max.	12 mm
Clamping range D, min.	12 mm
UV-resistant	no