

# Technical data sheet

## ISO base clip

Item number: 2130351



ISO base clip 31.5–35 mm



PS Polystyrene

### Master data

|                     |                      |
|---------------------|----------------------|
| Item number         | 2130351              |
| Type                | 2960 35 M6 LGR       |
| Description 1       | ISO base clip        |
| Manufacturer        | OBO                  |
| Dimension           | 31,5-35mm            |
| Colour              | Light grey; RAL 7035 |
| Material            | Polystyrene          |
| Smallest sales unit | 25                   |
| Unit of quantity    | Piece                |
| Weight              | 1.761 kg             |
| Weight unit         | kg/100 pc.           |

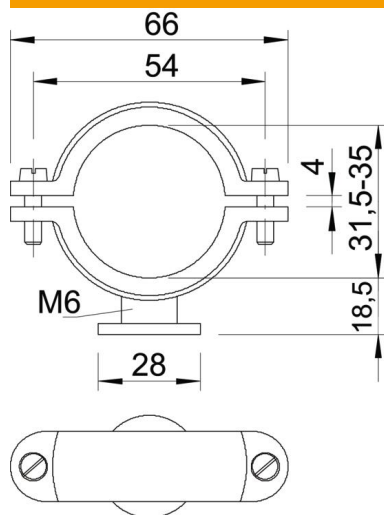
# Technical data sheet

## ISO base clip

Item number: 2130351



### Dimensions



|             |         |
|-------------|---------|
| Dimension A | 66 mm   |
| Dimension B | 54 mm   |
| Dimension d | 28 mm   |
| Dimension H | 18.5 mm |
| Dimension x | 4 mm    |

### Technical data

|                                  |            |
|----------------------------------|------------|
| Number of cables/pipes           | 1          |
| Version for                      | Closed     |
| Fastening type                   | Screw hole |
| Suitable in fire protection area | no         |
| Thread                           | M6         |
| Size                             | Pg 9       |
| Halogen-free                     | yes        |
| Plastic-covered                  | no         |
| Bolt                             | M5 x 14    |
| Clamping range D, max.           | 35 mm      |
| Clamping range D, min.           | 31.5 mm    |
| UV-resistant                     | no         |