

# Technical data sheet

## ISO base clip

Item number: 2130211



ISO base clip 20.5–22 mm



**PS** Polystyrene

### Master data

Item number	2130211
Type	2960 22 M6 LGR
Description 1	ISO base clip
Manufacturer	OBO
Dimension	20,5-22mm
Colour	Light grey; RAL 7035
Material	Polystyrene
Smallest sales unit	50
Unit of quantity	Piece
Weight	0.951 kg
Weight unit	kg/100 pc.

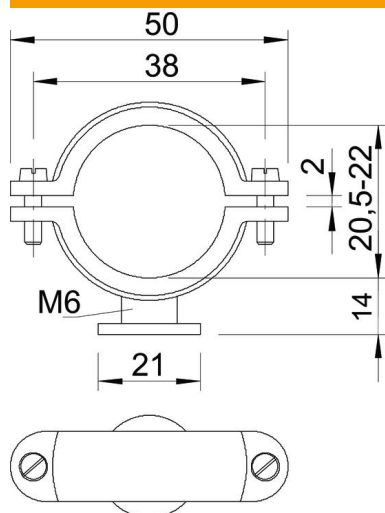
# Technical data sheet

## ISO base clip

Item number: 2130211



### Dimensions



Dimension A	50 mm
Dimension B	38 mm
Dimension d	21 mm
Dimension H	14 mm
Dimension x	2 mm

### Technical data

Number of cables/pipes	1
Version for	Closed
Fastening type	Screw hole
Suitable in fire protection area	no
Thread	M6
Size	Pg 9
Halogen-free	yes
Plastic-covered	no
Bolt	M5 x 14
Clamping range D, max.	22 mm
Clamping range D, min.	20.5 mm
UV-resistant	no