

Technical data sheet

ISO base clip

Item number: 2130181



ISO base clip 16.5–18 mm



PS Polystyrene

Master data

Item number	2130181
Type	2960 18 M6 LGR
Description 1	ISO base clip
Manufacturer	OBO
Dimension	16,5-18mm
Colour	Light grey; RAL 7035
Material	Polystyrene
Smallest sales unit	50
Unit of quantity	Piece
Weight	0.791 kg
Weight unit	kg/100 pc.

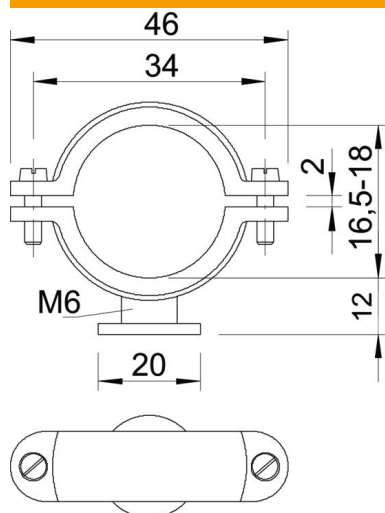
Technical data sheet

ISO base clip

Item number: 2130181



Dimensions



Dimension A	46 mm
Dimension B	34 mm
Dimension d	20 mm
Dimension d max.	18 mm
Dimension d min.	16.5 mm
Dimension H	12 mm
Dimension x	2 mm

Technical data

Number of cables/pipes	1
Version for	Closed
Fastening type	Screw hole
Suitable in fire protection area	no
Thread	M6
Size	Pg 9
Halogen-free	yes
Plastic-covered	no
Bolt	M5 x 14
Clamping range D, max.	18 mm
Clamping range D, min.	16.5 mm
UV-resistant	no