

Technical data sheet

ISO base clip

Item number: 2130122



ISO base clip 12 mm



PS Polystyrene

Master data

Item number	2130122
Type	2960 12 M6 LGR
Description 1	ISO base clip
Manufacturer	OBO
Dimension	12mm
Colour	Light grey; RAL 7035
Material	Polystyrene
Smallest sales unit	50
Unit of quantity	Piece
Weight	0.48 kg
Weight unit	kg/100 pc.

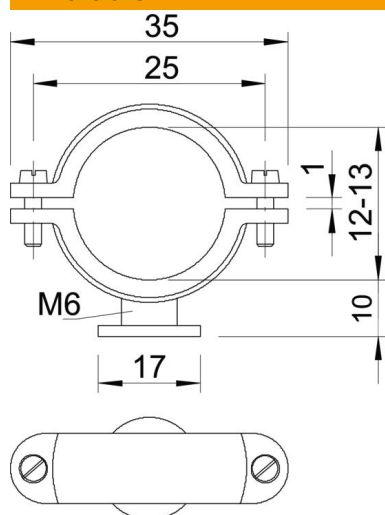
Technical data sheet

ISO base clip

Item number: 2130122



Dimensions



Dimension A	35 mm
Dimension B	25 mm
Dimension d	17 mm
Dimension d max.	13 mm
Dimension d min.	12 mm
Dimension H	10 mm
Dimension x	1 mm

Technical data

Number of cables/pipes	1
Version for	Closed
Fastening type	Screw hole
Suitable in fire protection area	no
Thread	M6
Size	Pg 9
Halogen-free	yes
Plastic-covered	no
Bolt	M4 x 10
Clamping range D, max.	13 mm
Clamping range D, min.	12 mm
UV-resistant	no