

Technical data sheet

Quick clip, flame-resistant, pure white

Item number: 2149369



Flame-resistant, flush-mounted clip to accept metric steel armoured pipes and heavy-duty insulating pipes, as well as Quick Pipe electrical installation pipes. Universal fastening options on walls and ceilings, both in indoor and protected outdoor areas. With slot for side alignment during mounting with wood screw or knock-in anchor. Toolless pipe mounting. Can also be arranged with OBO Multi-Quick or starQuick clip. M16 - M32 size can be screwed onto M6 thread. Recommended fastening spacing 50–60 cm, for max. extraction values F at a room temperature of 20 °C, see the table.



PP Polypropylene

Master data

| | |
|---------------------|----------------------|
| Item number | 2149369 |
| Type | 2955 F M32 RW |
| Description 1 | Quick clip |
| Description 2 | flame-resistant |
| Manufacturer | OBO |
| Dimension | M32 |
| Colour | Pure white; RAL 9010 |
| Material | Polypropylene |
| Smallest sales unit | 50 |
| Unit of quantity | Piece |
| Weight | 0.63 kg |
| Weight unit | kg/100 pc. |

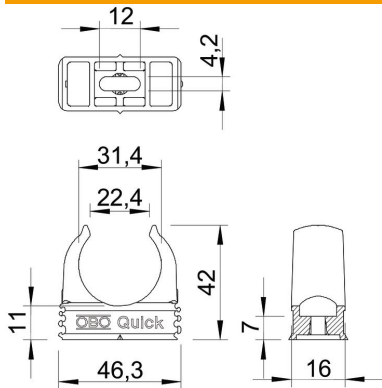
Technical data sheet

Quick clip, flame-resistant, pure white

Item number: 2149369



Dimensions



| | |
|-------------|---------|
| Dimension A | 46.3 mm |
| Dimension B | 16 mm |
| Dimension C | 22.4 mm |
| Dimension D | 31.4 mm |
| Dimension E | 12 mm |
| Dimension F | 4.2 mm |
| Dimension h | 11 mm |
| Dimension H | 42 mm |

Technical data

| | |
|-------------------------|---|
| Expandable | yes |
| Number of cables/pipes | 1 |
| Pull-out value | 100 N |
| Fastening type | Screw hole |
| Flame-resistant | Acc. to VDE 0471/DIN 695 Part 2-1, test temperature 750°C |
| Closed | no |
| Halogen-free | yes |
| With inlay | no |
| Nominal size/text | M32 |
| Quick clip installation | Durchgangsloch,_auf_M6_Gewinde_aufschraubbar |
| Clamping range D, max. | 32 mm |
| Clamping range D, min. | 32 mm |
| UV-resistant | no |