

Technical data sheet

Screw-in spacer clip, universal

Item number: 1383426



With M6 thread.



St Steel

G Electrogalvanized

Master data

Item number	1383426
Type	2900 M6 49-55 G
Description 1	Distance saddle
Description 2	with threaded connection M6
Manufacturer	OBO
Dimension	49-55mm
Material	Steel
Surface	Electrogalvanized
Surface standard	EN ISO 19598 / EN ISO 4042
Smallest sales unit	20
Unit of quantity	Piece
Weight	9.3 kg
Weight unit	kg/100 pc.

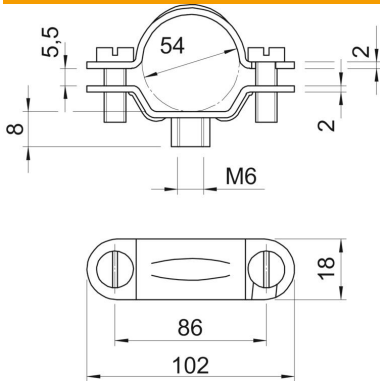
Technical data sheet

Screw-in spacer clip, universal

Item number: 1383426



Dimensions



Length	102 mm
Width	18 mm
Dimension A	102 mm
Dimension B	86 mm
Dimension b	18 mm
Dimension D	54 mm
Dimension d min.	54 mm
Dimension H	8 mm
Dimension L	102 mm
Dimension t1 (mm)	2
Dimension t2 (mm)	2
Dimension x	5.5 mm

Technical data

Version for	Closed
Fastening type	Screw hole
Size	M50
Halogen-free	no
Plastic-covered	no
Hole size	M6 mm
Material thickness	2 mm
Bolt	M6 x 15
Clamping range D, max.	55 mm
Clamping range D, min.	49 mm
UV-resistant	yes