

# Technical data sheet

## Screw-in spacer clip, universal

Item number: 1383213



With M6 thread.



**St** Steel

**G** Electrogalvanized

### Master data

Item number	1383213
Type	2900 M6 24-29 G
Description 1	Distance saddle
Description 2	with threaded connection M6
Manufacturer	OBO
Dimension	24-29mm
Material	Steel
Surface	Electrogalvanized
Surface standard	EN ISO 19598 / EN ISO 4042
Smallest sales unit	50
Unit of quantity	Piece
Weight	3.32 kg
Weight unit	kg/100 pc.

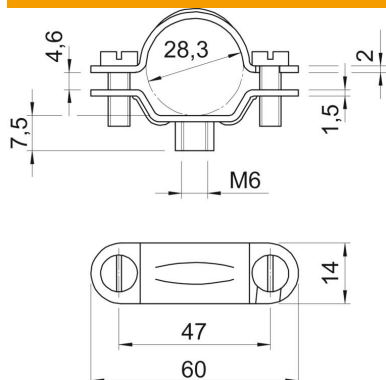
# Technical data sheet

## Screw-in spacer clip, universal

Item number: 1383213



### Dimensions



Length	60 mm
Width	14 mm
Dimension A	60 mm
Dimension B	47 mm
Dimension b	14 mm
Dimension D	28.3 mm
Dimension d min.	28.3 mm
Dimension H	7.5 mm
Dimension L	60 mm
Dimension t1 (mm)	1.5
Dimension t2 (mm)	2
Dimension x	4.6 mm

### Technical data

Version for	Closed
Fastening type	Screw hole
Size	M25
Halogen-free	no
Plastic-covered	no
Hole size	M6 mm
Material thickness	1.5 mm
Bolt	M5 x 14
Clamping range D, max.	29 mm
Clamping range D, min.	24 mm
UV-resistant	yes