

# Technical data sheet

## Diagonal connector for A4 round conductor

Item number: 5313013



- Meets the requirements of VDE 0185-305-3 (IEC/ EN 62305-3)
- To connect round conductors 8–10 mm
- Mounted with 2 truss-head bolts M10 x 30 and 2 hexagonal bolts M10



**A4** Stainless steel

### Master data

|                     |                  |
|---------------------|------------------|
| Item number         | 5313013          |
| Type                | 2760 8-10 V4A    |
| Description 1       | Connecting strap |
| Manufacturer        | OBO              |
| Dimension           | 101x30           |
| Material            | Stainless steel  |
| Smallest sales unit | 25               |
| Unit of quantity    | Piece            |
| Weight              | 21.364 kg        |
| Weight unit         | kg/100 pc.       |

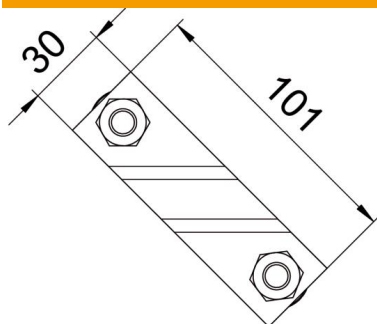
# Technical data sheet

## Diagonal connector for A4 round conductor

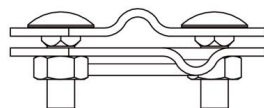
Item number: 5313013



### Dimensions



|             |        |
|-------------|--------|
| Length      | 101 mm |
| Width       | 30 mm  |
| Height      | 35 mm  |
| Dimension A | 101 mm |



### Technical data

|                                     |                                   |
|-------------------------------------|-----------------------------------|
| Type of fastening screw             | Gutter bolt                       |
| Type of connector                   | Connectors                        |
| Lightning current carrying capacity | H/100 kA                          |
| Suitable for connection             | Round conductor Rd 8–10 / Rd 8–10 |
| Fit                                 | Rd 8-10 mm                        |
| Intermediate plate                  | no                                |
| Clamping range, max.                | 10 mm                             |
| Clamping range, min.                | 8 mm                              |