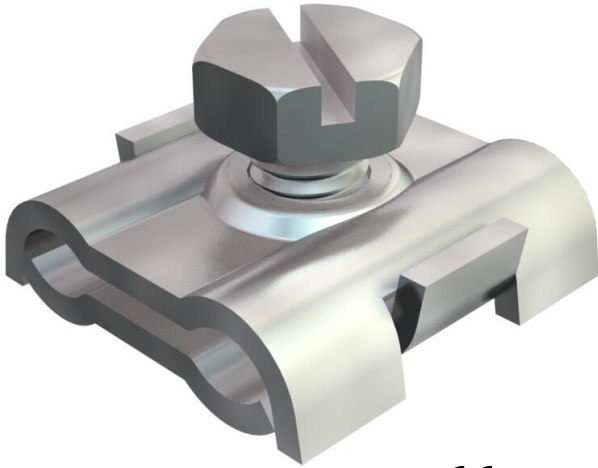


Technical data sheet

Wire cable clamp G

Item number: 5305012



Wire cable clamp for fastening steel wire tensioning ropes.



- St** Steel
- G** Electrogalvanized

Master data

Item number	5305012
Type	261 3-6 G
Description 1	Wire cable clamp
Manufacturer	OBO
Dimension	3-6mm
Material	Steel
Surface	Electrogalvanized
Surface standard	EN ISO 19598 / EN ISO 4042
Smallest sales unit	100
Unit of quantity	Piece
Weight	1.498 kg
Weight unit	kg/100 pc.

Technical data

Version for	Not insulated
for cable diameter, max.	6 mm
for cable diameter, min.	3 mm
Bolt	M6x12