

# Technical data sheet

## WDK CEE adapter flange 16 A

Item number: 6024025



Adapter flange for mounting CEE 16 A sockets. During the mounting of the CEE mounting box, the adapter flange is mounted behind the trunking cover for accessory mounting boxes. Suitable for 400 V CEE 16 A 5-pin 6h, art. no. 6109874.

Installed from the CEE sockets behind the cover of the accessory mounting boxes.

CE

PA Polyamide

### Master data

Item number	6024025
Type	2393 16
Description 1	Adapter flange
Description 2	for CEE sockets 16 A
Manufacturer	OBO
Colour	Light grey; RAL 7035
Material	Polyamide
Smallest sales unit	5
Unit of quantity	Piece
Weight	2.401 kg
Weight unit	kg/100 pc.

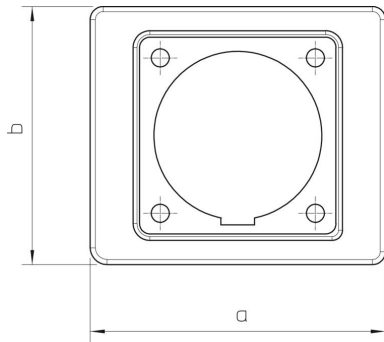
# Technical data sheet

## WDK CEE adapter flange 16 A

Item number: 6024025



### Dimensions



Dimension a	110 mm
Dimension b	96 mm

### Technical data

Type of accessory	Adapter flange
Suitable for	CEE 16 A
Accessories	yes
Spare part	no